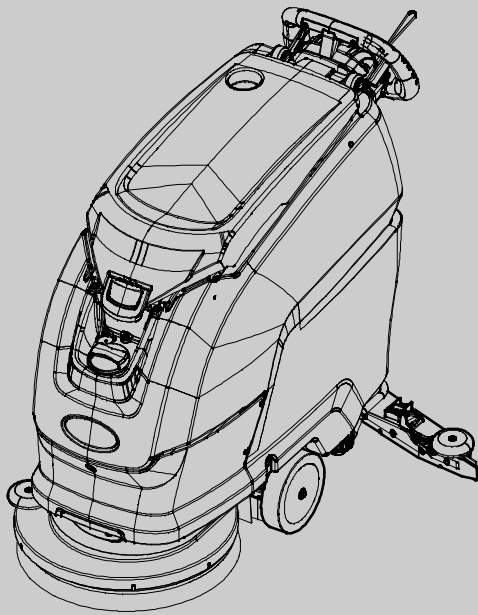




# T291

Walk-Behind Battery Scrubber

## Parts Manual



Model Part No.:

- 9021375 - SCRUBBER [ T291 55CM PAD ASSIST BR, EMEA]
- 9021376 - SCRUBBER [ T291 55CM PROPEL BR, EMEA]
- LPTB03198 - SCRUBBER [T291 55CM PAD ASSIST PD, EMEA]
- LPTB03199 - SCRUBBER [T291 55CM PROPEL PD, EMEA]
- LPTB03178 - SCRUBBER [T291 60CM BR, EMEA]
- LPTB03179 - SCRUBBER [T291 70CM ACT BR, EMEA]
- LPTB03200 - SCRUBBER [T291 60CM PD, EMEA]
- LPTB03201 - SCRUBBER [T291 70CM ACT PD, EMEA]

**Tennant True® Parts**

Walo Hygiëne en Reinigingssystemen B.V.

0187-605374  
welkom@walo.nl  
www.walo.nl



9021579  
Rev. 02 (02-2022)

Only use TENNANT Company supplied or equivalent parts. Parts and supplies may be ordered online, by phone or from any Tennant Authorized Service Center or Distributor.

Before Ordering any parts or supplies, be sure to have the machine model number and serial number available.

### Serial Number Location



Walo Hygiëne en Reinigingssystemen B.V.

0187-605374  
welkom@walo.nl  
www.walo.nl



Specifications and parts are subject to change without notice.

Copyright © 2021 TENNANT Company

## RECOMMENDED SPARE PARTS LIST

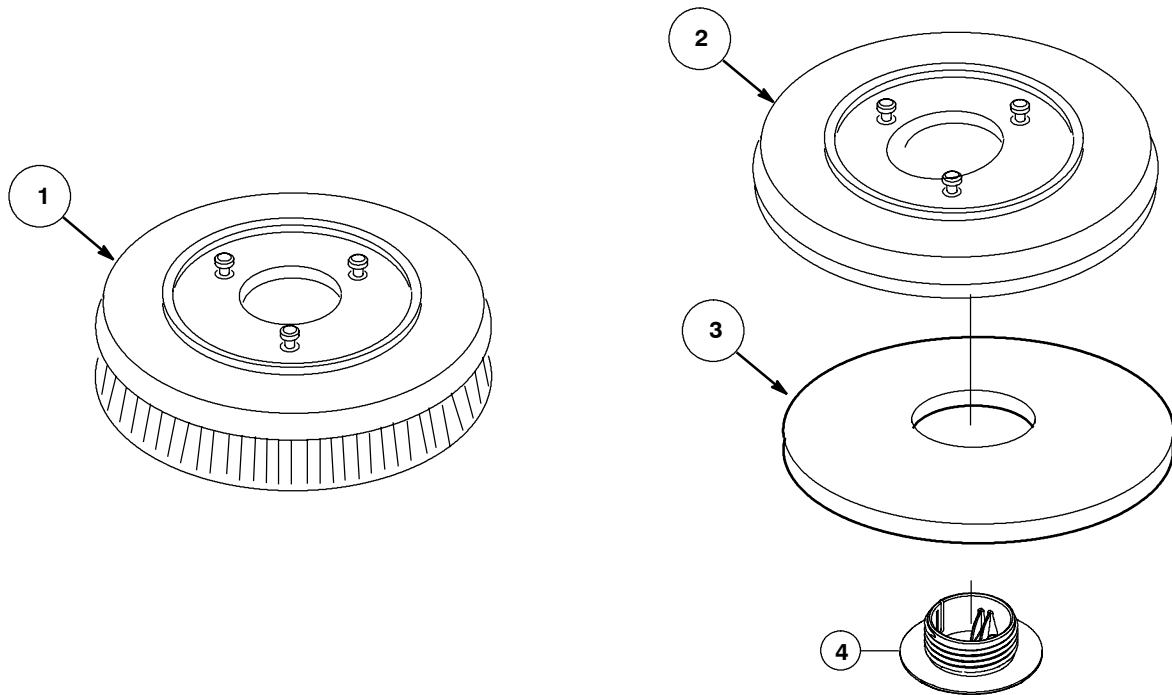
| <b>WEAR PARTS (55CM MODELS)</b> |  |
|---------------------------------|--|
| <b>PART NO.</b>                 | <b>DESCRIPTION</b>                                 |
| 9017699                         | BLADE, SQGE, FRONT, 880L, LINATEX [STANDARD]       |
| 9017702                         | BLADE, SQGE, REAR, 900L, LINATEX [STANDARD]        |
| 9017695                         | BLADE, SQGE, FRONT, 880L, LATEX                    |
| 9017694                         | BLADE, SQGE, REAR, 900L, LATEX                     |
| 9017696                         | BLADE, SQGE, FRONT, 880L, PYU                      |
| 9017698                         | BLADE, SQGE, REAR, 900L, PYU                       |
| 9017761                         | BRUSH ASSY, DISK, SCB, 55CM, 3-LUG, PYP [STANDARD] |
| SPPV01351                       | BRUSH ASSY, DISK, SCB, 55CM, 3-LUG, PYP, SOFT      |
| 9017763                         | DRIVER ASSY, PAD, 55CM, 3-LUG                      |
| SPPV01460                       | PAD, STRIP, 21.6/550, BROWN[5PC]                   |
| SPPV01442                       | PAD, SCB, 21.6/550, BLU [5PC]                      |
| SPPV01433                       | PAD, BUFF, 21.6/550, RED [5PC]                     |
| SPPV01415                       | PAD, POLISH, 21.6/550, WHITE [5PC]                 |
| KTRIO5244                       | SPLASH GUARD, 55CM (OPTION)                        |
| <b>WEAR PARTS (60CM MODELS)</b> |  |
| <b>PART NO.</b>                 | <b>DESCRIPTION</b>                                 |
| 9017699                         | BLADE, SQGE, FRONT, 880L, LINATEX [STANDARD]       |
| 9017702                         | BLADE, SQGE, REAR, 900L, LINATEX [STANDARD]        |
| 9017695                         | BLADE, SQGE, FRONT, 880L, LATEX                    |
| 9017694                         | BLADE, SQGE, REAR, 900L, LATEX                     |
| 9017696                         | BLADE, SQGE, FRONT, 880L, PYU                      |
| 9017698                         | BLADE, SQGE, REAR, 900L, PYU                       |
| 9017729                         | BRUSH ASSY, DISK, SCB, 30CM, 3-LUG, PYP [STANDARD] |
| SPPV01514                       | BRUSH ASSY, DISK, SCB, 30CM, 3-LUG, MIX FBR, SOFT  |
| 9017735                         | DRIVER ASSY, PAD, 30CM, 3-LUG                      |
| 994512                          | PAD, STRIP, 30.5CM, BROWN [5PC]                    |
| 994511                          | PAD, SCRUB, 30.5CM, BLU [5PC]                      |
| 994510                          | PAD, BUFF, 30.5CM, RED [5PC]                       |
| 385940                          | PAD, POLISH, 30.5CM, WHITE [5PC]                   |
| KTRIO5245                       | SPLASH GUARD, 60CM (OPTION)                        |
| <b>WEAR PARTS (70CM MODELS)</b> |  |
| <b>PART NO.</b>                 | <b>DESCRIPTION</b>                                 |
| 9017813                         | BLADE, SQGE, FRONT, 1020L, LINATEX [STANDARD]      |
| 9017814                         | BLADE, SQGE, REAR, 1020L, LINATEX [STANDARD]       |
| 9017801                         | BLADE, SQGE, FRONT, 1020L, LATEX                   |
| 9017804                         | BLADE, SQGE, REAR, 1020L, LATEX                    |
| 9017806                         | BLADE, SQGE, FRONT, 1020L, PYU                     |
| 9017811                         | BLADE, SQGE, REAR, 1020L, PYU                      |
| 9017816                         | BRUSH ASSY, DISK, SCB, 35CM, 3-LUG, PYP [STANDARD] |
| 9017730                         | BRUSH ASSY, DISK, SCB, 35CM, 3-LUG, PYP, SOFT      |
| 9017820                         | DRIVER ASSY, PAD, 35CM, 3-LUG                      |
| 994520                          | PAD, STRIP, 35CM, BROWN[5PC]                       |
| 994519                          | PAD, SCRUB, 35CM, BLU [5PC]                        |
| 994518                          | PAD, BUFF, 35CM, RED [5PC]                         |
| 994754                          | PAD, POLISH, 35CM, WHITE [5PC]                     |
| KTRIO5246                       | SPLASH GUARD, 70CM (OPTION)                        |

## RECOMMENDED SPARE PARTS LISTLIST

| <b>SERVICE PARTS</b> |  |
|----------------------|--|
| <b>PART NO.</b>      | <b>DESCRIPTION</b>                     |
| 994200               | BATTERY, GEL, 12VDC 76AH [GEL]         |
| 994201               | BATTERY, GEL, 12VDC 105AH [GEL]        |
| RTRT00577            | WHEEL D.200 [PAD ASSIST MODEL]         |
| 897346               | WHEEL D.200 [PROPEL MODEL]             |
| MECE00746            | BOARD, DISPLAY [PAD ASSIST MODEL]      |
| MECE00810            | BOARD, DISPLAY [PROPEL MODEL]          |
| MECE00733            | BOARD, PCB [PAD ASSIST MODEL]          |
| MECE00786            | BOARD, PCB [PROPEL MODEL]              |
| MOCC00465            | TRANSAXLE, MOTOR ASSY [PROPEL MODEL]   |
| 9017743              | BRUSH KIT, MOTOR, TRANSAXLE [2 PC]     |
| MOCC00449            | MOTOR, BRUSH [SINGLE DISK]             |
| MOCC00450            | MOTOR, BRUSH [DUAL DISK]               |
| MEVR02923            | BRUSH KIT, CARBON, BRUSH MOTOR [4 PC]  |
| 9017716              | FAN, MOTOR                             |
| 9017687              | BRUSH, CARBON, VAC FAN MOTOR           |
| MOCC00448            | ACTUATOR, BRUSH HEAD [ACTUATOR MODEL]  |
| GUGO00509            | GASKET VACUUM MOTOR                    |
| 9017712              | HOSE ASSY, RECOVERY                    |
| FTDP00678            | FILTER, VACUUM MOTOR                   |
| MTCR00107            | CHAIN, SQUEEGEE, LIFT                  |
| TBFX01069            | HOSE, DRAIN, RECOVERY TANK             |
| 9017718              | VALVE, WATER, SOLENOID, 24VDC          |
| MPVR13036            | HANDLE SQUEEGEE LIFTING                |
| 9017788              | CASTER, SWIVEL, PU, 80MM X 25MM        |
| 9018501              | WHEEL, SQUEEGEE                        |
| MPVR01097            | HOOK, DRAIN HOSE                       |
| PMVR06995            | KNOB, SQUEEGEE                         |
| MPVR12967            | LEVER CLOSURE LID                      |
| MPVR10565            | FILTER SOLUTION TANK                   |
| MECI00592            | SENSOR, SOLUTION TANK                  |
| MECI00662            | SENSOR LEVEL, RECOVERY TANK            |
| 9018332              | FUSE, 50A                              |
| 897301               | FUSE 30A OMEGA FT3030                  |
| KTRIO6373            | Chem Dose Kit (OPTION)                 |
| KTRIO4848            | Tools Bar (OPTION)                     |
| MECB00922            | CORD, POWER, CHARGER [EU]              |
| 1032820              | CORD, POWER, CHARGER [UK]              |
| MEVR02641            | KEY, ELECTRONIC [PAD ASSIST MODEL]     |
| MEVR02642            | KEY, ELECTRONIC, W/RFID [PROPEL MODEL] |



# BRUSHES / PAD DRIVER & PADS



## 55cm Single Disk Model

| Ref. | Part No.  | Description  | Quantity |
|------|-----------|--|----------|
| 0001 | 9017761   | BRUSH ASSY, DISK, SCB, 55CM, 3-LUG, PYP [STANDARD] | 1,00     |
| 0001 | SPPV01351 | BRUSH ASSY, DISK, SCB, 55CM, 3-LUG, PYP, SOFT      | 1,00     |
| 0002 | 9017763   | DRIVER ASSY, PAD, 55CM, 3-LUG                      | 1,00     |
| 0003 | SPPV01460 | PAD, STRIP, 21.6/550, BROWN [5PC]                  | 1,00     |
| 0003 | SPPV01442 | PAD, SCB, 21.6/550, BLU [5PC]                      | 1,00     |
| 0003 | SPPV01433 | PAD, BUFF, 21.6/550, RED [5PC]                     | 1,00     |
| 0003 | SPPV01415 | PAD, POLISH, 21.6/550, WHITE [5PC]                 | 1,00     |
| 0004 | MPVR04088 | LOCK, CENTER, PAD DRIVER                           | 1,00     |

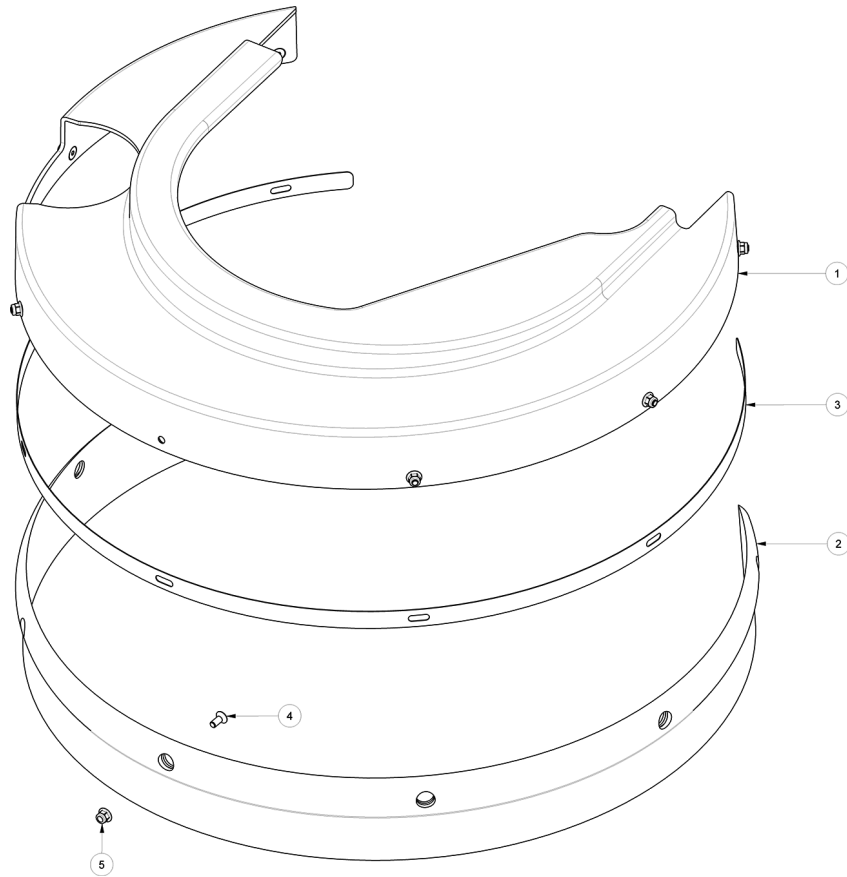
## 60cm Dual Disk Model

| Ref. | Part No.  | Description  | Quantity |
|------|-----------|--|----------|
| 0001 | 9017729   | BRUSH ASSY, DISK, SCB, 30CM, 3-LUG, PYP [STANDARD] | 1,00     |
| 0001 | SPPV01514 | BRUSH ASSY, DISK, SCB, 30CM, 3-LUG, MIX FBR, SOFT  | 1,00     |
| 0002 | 9017735   | DRIVER ASSY, PAD, 30CM, 3-LUG                      | 1,00     |
| 0003 | 994512    | PAD, STRIP, 30.5CM, BROWN [5PC]                    | 1,00     |
| 0003 | 994511    | PAD, SCRUB, 30.5CM, BLU [5PC]                      | 1,00     |
| 0003 | 994510    | PAD, BUFF, 30.5CM, RED [5PC]                       | 1,00     |
| 0003 | 385940    | PAD, POLISH, 30.5CM, WHITE [5PC]                   | 1,00     |
| 0004 | MPVR04088 | LOCK, CENTER, PAD DRIVER                           | 1,00     |

## 70cm Dual Disk Model

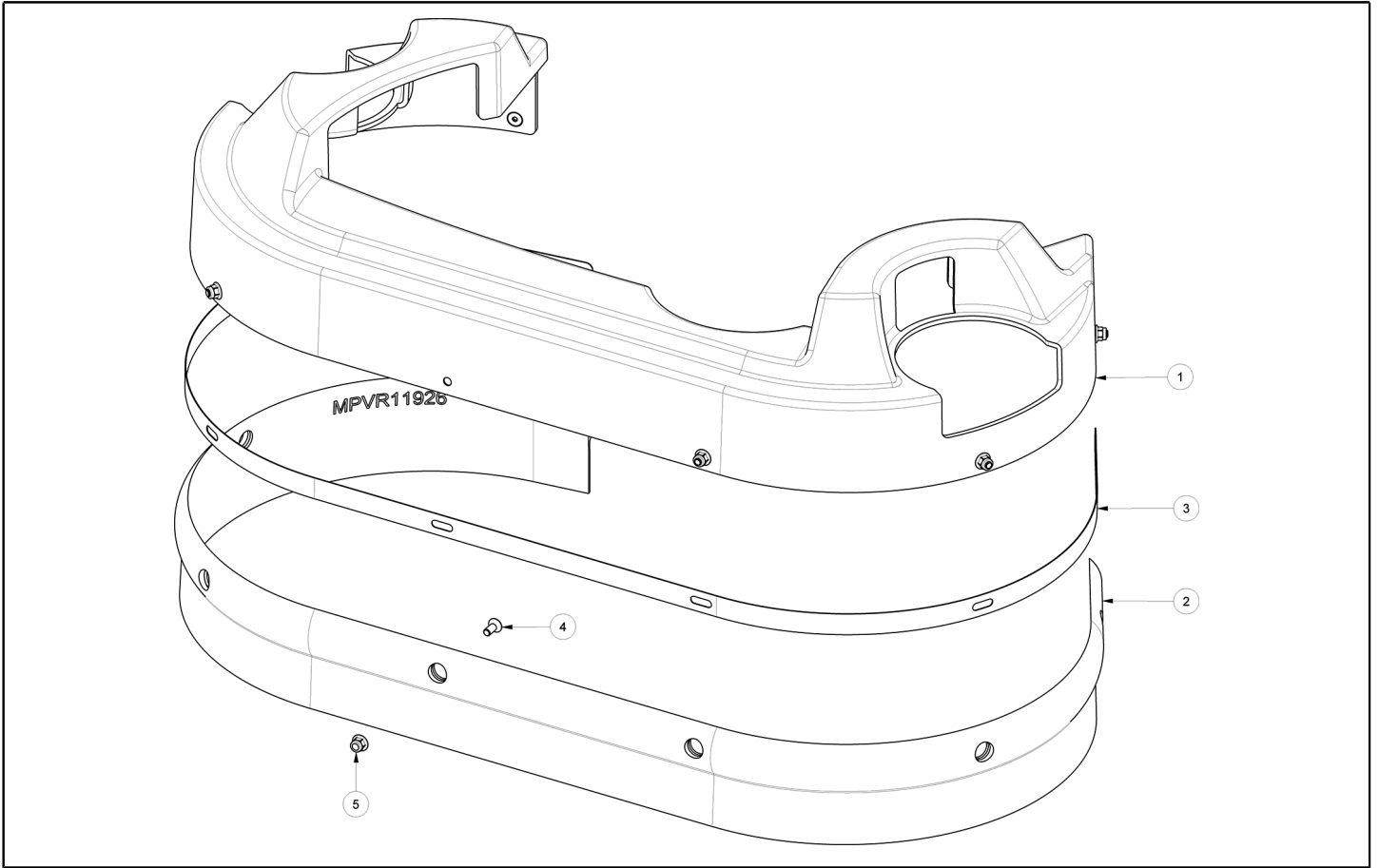
| Ref. | Part No.  | Description  | Quantity |
|------|-----------|--|----------|
| 0001 | 9017816   | BRUSH ASSY, DISK, SCB, 35CM, 3-LUG, PYP [STANDARD] | 1,00     |
| 0001 | 9017730   | BRUSH ASSY, DISK, SCB, 35CM, 3-LUG, PYP, SOFT      | 1,00     |
| 0002 | 9017820   | DRIVER ASSY, PAD, 35CM, 3-LUG                      | 1,00     |
| 0003 | 994520    | PAD, STRIP, 35CM, BROWN [5PC]                      | 1,00     |
| 0003 | 994519    | PAD, SCRUB, 35CM, BLU [5PC]                        | 1,00     |
| 0003 | 994518    | PAD, BUFF, 35CM, RED [5PC]                         | 1,00     |
| 0003 | 994754    | PAD, POLISH, 35CM, WHITE [5PC]                     | 1,00     |
| 0004 | MPVR04088 | LOCK, CENTER, PAD DRIVER                           | 1,00     |

SPLASH GUARD KIT, 55CM - KTRI05244 [OPTION]



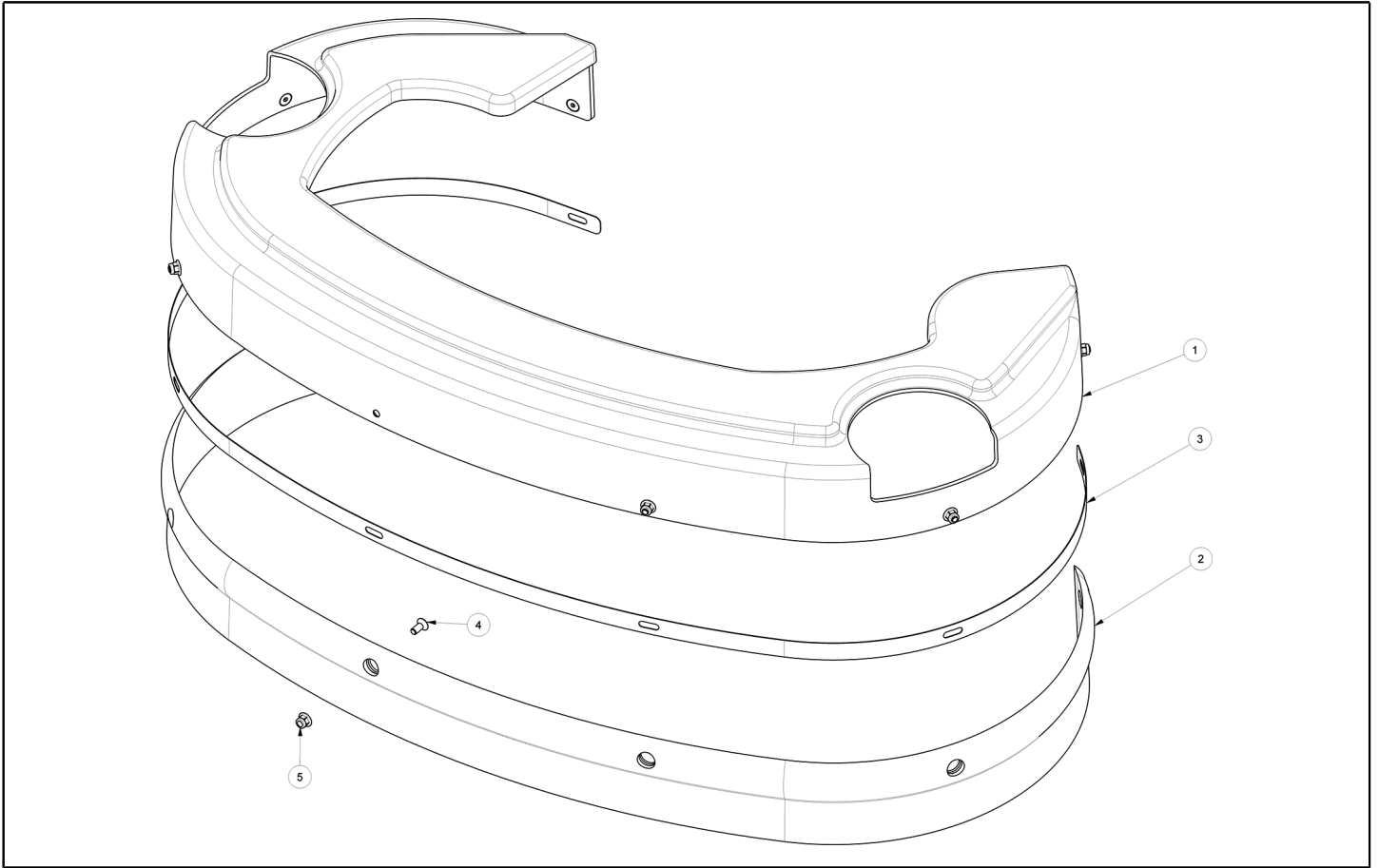
| Ref. | Part No.  | Description                             | Quantity |
|------|-----------|---|----------|
|      | KTRI05244 | SPLASH GUARD, 55CM (Includes 1,2,3,4,5) | 1,00     |
| 0001 | MPVR11904 | SUPPORT, FLAP                           | 1,00     |
| 0002 | MPVR12718 | GUARD, SPLASH                           | 1,00     |
| 0003 | LAFN11270 | SHEET METAL PA. SPLASH GUARD            | 1,00     |
| 0004 | 897658    | SCREW, M5X12, TSPEI, UNI5933            | 7,00     |
| 0005 | VTDD00531 | NUT M5 DIN6926 INOX                     | 7,00     |

SPLASH GUARD KIT, 60CM - KTRI05245 [OPTION]



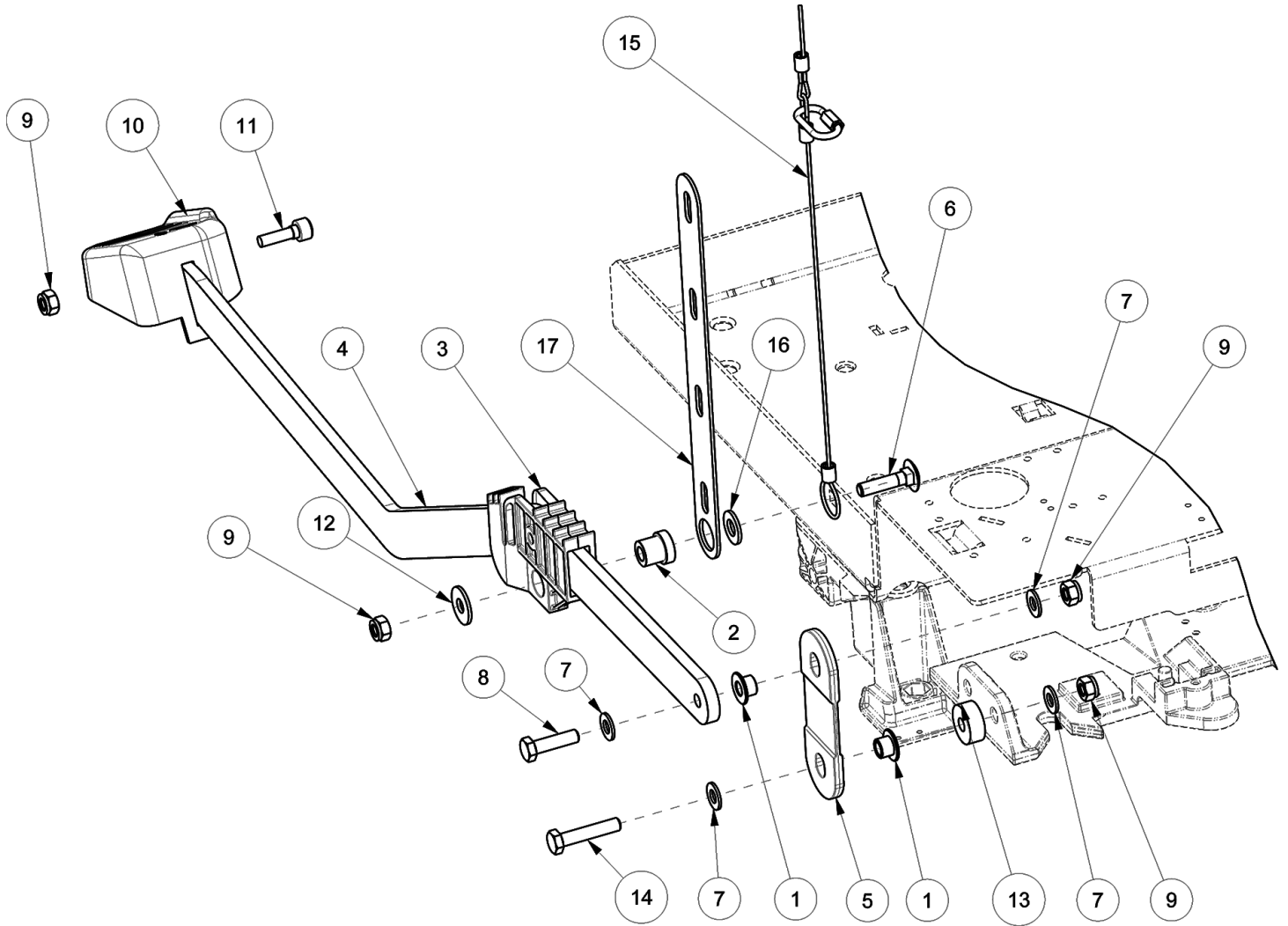
| Ref. | Part No.  | Description                                     | Quantity |
|------|-----------|---|----------|
|      | KTRI05245 | KSPLASH GUARD, 60CM [T391] (Includes 1,2,3,4,5) | 1,00     |
| 0001 | MPVR11905 | SUPPORT FLAP PS 60CM                            | 1,00     |
| 0002 | MPVR11926 | RUBBER SPLASH GUARD 60CM                        | 1,00     |
| 0003 | LAFN11271 | SHEET METAL PA. SPLASH GUARD 60CM               | 1,00     |
| 0004 | 897658    | SCREW, M5X12, TSPEI, UNI5933                    | 7,00     |
| 0005 | VTDD00531 | NUT M5 DIN6926 INOX                             | 7,00     |

SPLASH GUARD KIT, 70CM - KTRI05246 [OPTION]



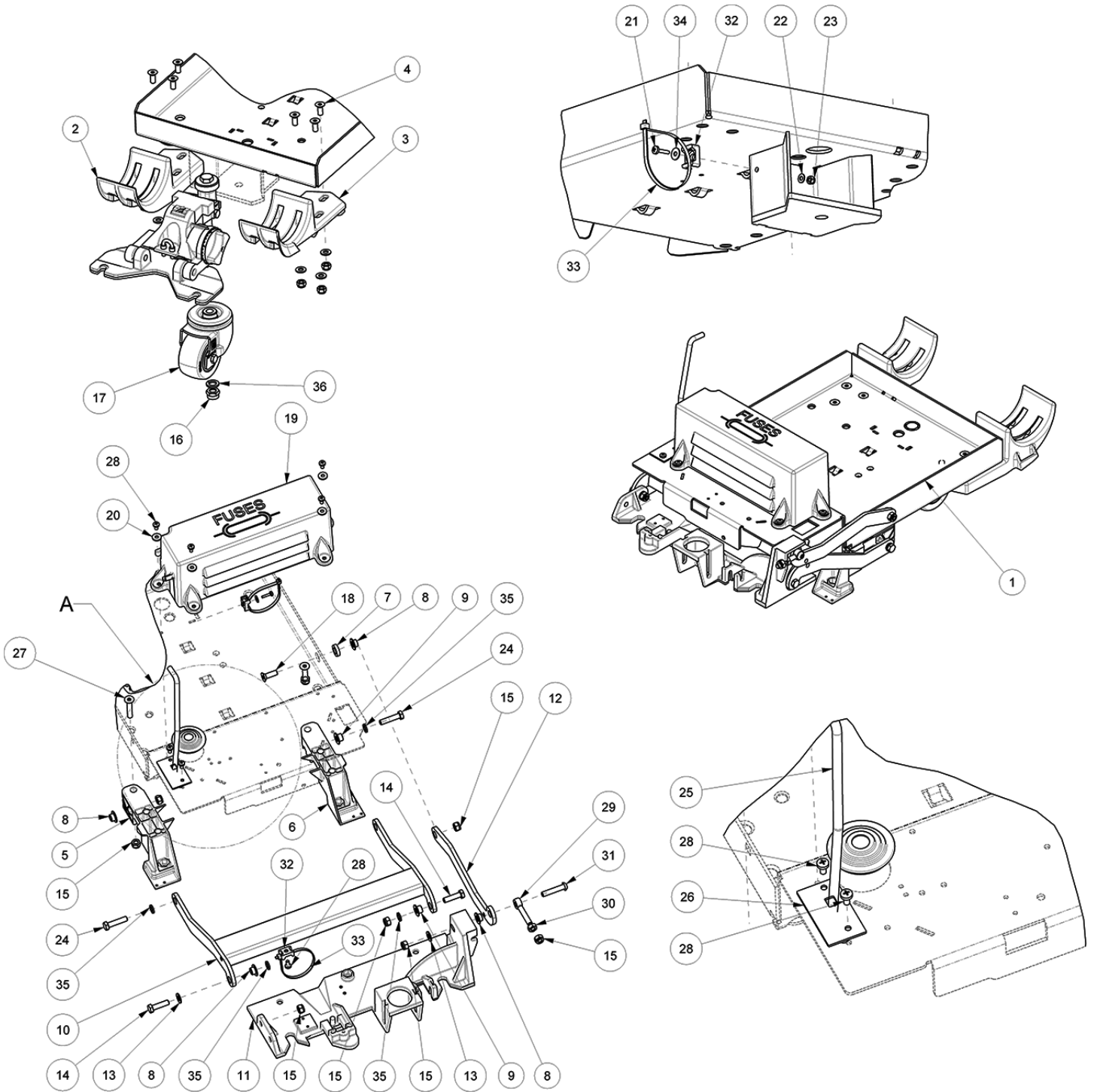
| Ref. | Part No.  | Description                                    | Quantity |
|------|-----------|--|----------|
|      | KTRI05246 | SPLASH GUARD, 70CM [T391] (Includes 1,2,3,4,5) | 1,00     |
| 0001 | MPVR11906 | SUPPORT FLAP PS 70CM                           | 1,00     |
| 0002 | MPVR11927 | RUBBER SPLASH GUARD 70CM                       | 1,00     |
| 0003 | LAFN11272 | SHEET METAL PA. SPLASH GUARD 70CM              | 1,00     |
| 0004 | 897658    | SCREW, M5X12, TSPEI, UNI5933                   | 7,00     |
| 0005 | VTDD00531 | NUT M5 DIN6926 INOX                            | 7,00     |

# LIFT PEDAL GROUP



| Ref. | Part No.  | Description                     | Quantity |
|------|-----------|---------------------------------|----------|
| 0001 | LAFN10998 | BUSHING -                       | 2,00     |
| 0002 | LAFN10997 | SPACER                          | 1,00     |
| 0003 | MPVR06500 | SUPPORT LIFTING PEDAL           | 1,00     |
| 0004 | LAFN09427 | LEVER PEDAL BRUSH HEAD          | 1,00     |
| 0005 | MPVR06502 | PLATE LINK PEDAL-BRUSH HEAD     | 1,00     |
| 0006 | VTVT01143 | SCREW TTQDE M8X35               | 1,00     |
| 0007 | 897152    | WASHER, D.8, UNI6592, INOX      | 4,00     |
| 0008 | 897246    | SCREW, TE, M8X30, UNI5739, INOX | 1,00     |
| 0009 | VTDD01701 | NUT M8                          | 4,00     |
| 0010 | MPVR06471 | PEDAL HEAD LIFTING              | 1,00     |
| 0011 | VTVT00639 | SCREW TCEI 8X25                 | 1,00     |
| 0012 | 897120    | WASHER, D.8X24, UNI6593, INOX   | 1,00     |
| 0013 | MPVR10793 | SPACER                          | 1,00     |
| 0014 | 897536    | SCREW, TE, M.8X40               | 1,00     |
| 0015 | CMCV00399 | CABLE -                         | 1,00     |
| 0016 | 897432    | WASHER, D. 10X21, UNI6592, INOX | 1,00     |
| 0017 | MPVR11573 | GUIDE                           | 1,00     |

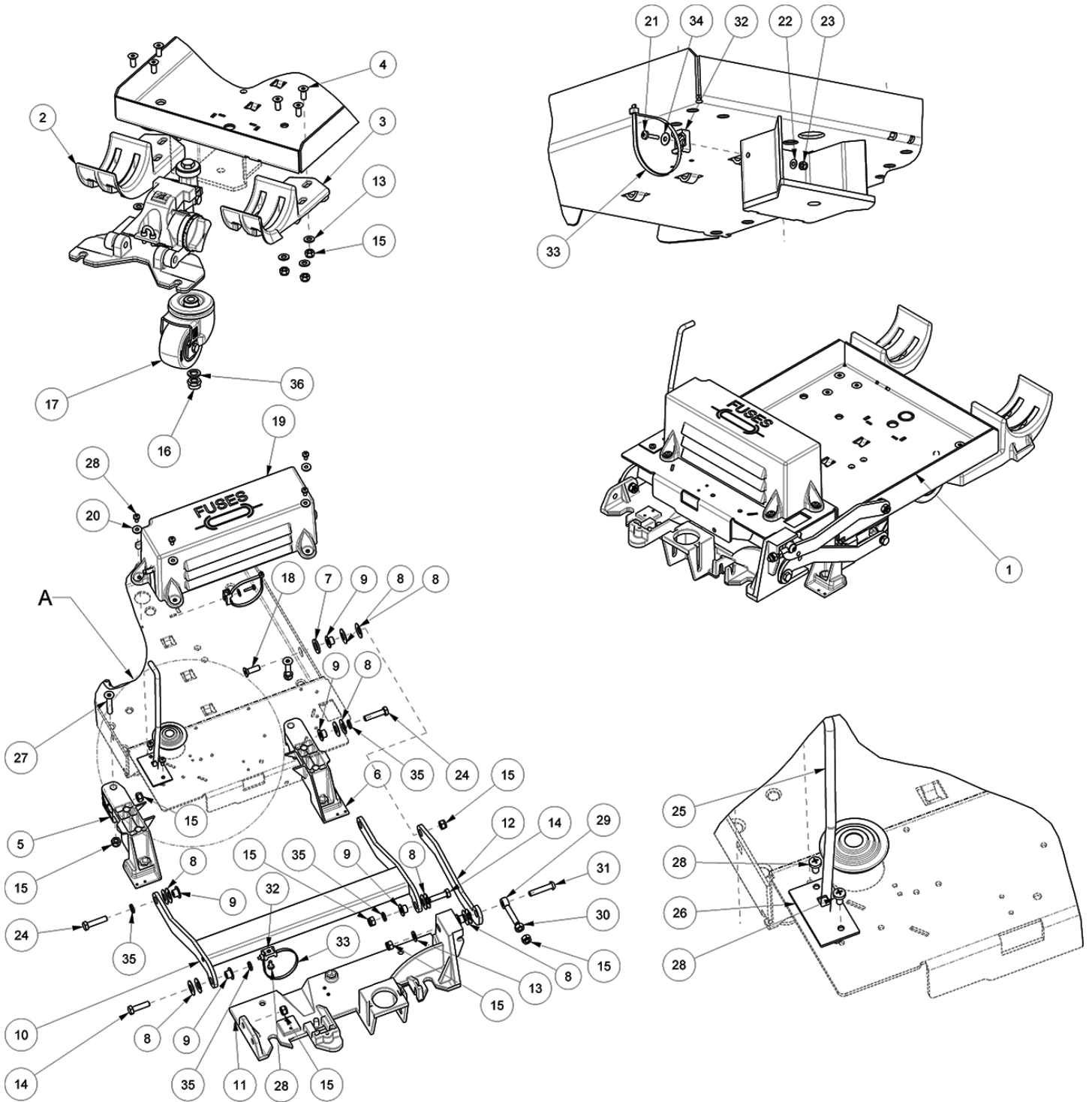
# FRAME GROUP



# FRAME GROUP

| Ref. | Part No.  | Description                         | Quantity |
|------|-----------|-------------------------------------|----------|
| 0001 | LAFN09477 | FRAME                               | 1,00     |
| 0002 | MFVR00286 | SUPPORT -                           | 1,00     |
| 0003 | MFVR00287 | SUPPORT -                           | 1,00     |
| 0004 | VTVT01352 | SCREW TSPEI M8X20                   | 6,00     |
| 0005 | MFVR00283 | SUPPORT -                           | 1,00     |
| 0006 | MFVR00284 | SUPPORT -                           | 1,00     |
| 0007 | LAFN11009 | SPACER -                            | 1,00     |
| 0008 | 897218    | BUSHING BRUSH DECK SUPPORT          | 4,00     |
| 0009 | LAFN10998 | BUSHING -                           | 2,00     |
| 0010 | LAFN09420 | ARM -                               | 1,00     |
| 0011 | MFVR00240 | BRACKET BRUSH HEAD SUPPORT          | 1,00     |
| 0012 | LAFN09421 | LEVER -                             | 1,00     |
| 0013 | 897152    | WASHER, D.8, UNI6592, INOX          | 8,00     |
| 0014 | VTVT00140 | SCREW TE M8x30                      | 2,00     |
| 0015 | VTDD01701 | NUT M8                              | 15,00    |
| 0016 | 897241    | NUT, M.12, INOX, A2                 | 1,00     |
| 0017 | 9017788   | CASTER, SWIVEL, PU, 80MM X 25MM     | 1,00     |
| 0018 | VTVT00781 | SCREW TSPEI M.8-25                  | 1,00     |
| 0019 | MPVR06505 | COVERING ELECTRONIC BOX             | 1,00     |
| 0020 | 897384    | WASHER D. 5X14 INX                  | 4,00     |
| 0021 | 897123    | SCREW M4X16                         | 1,00     |
| 0022 | 897156    | WASHER D. 4 INX                     | 1,00     |
| 0023 | 897276    | NUT M 4 ATB A2                      | 1,00     |
| 0024 | VTVT00017 | SCREW TE UNI 5739 8X35 ZB           | 2,00     |
| 0025 | LAFN11014 | PIN -                               | 1,00     |
| 0026 | LAFN11077 | PLATE -                             | 1,00     |
| 0027 | VTVT01322 | SCREW TSPEI 8X45 UNI5933 INX        | 2,00     |
| 0028 | VTVT01297 | SCREW M 4X 8 TCB-TC UNI 8112        | 7,00     |
| 0029 | VTVR00335 | TIE ROD -                           | 1,00     |
| 0030 | 897229    | NUT, M8, UNI5588, INOX, A2          | 1,00     |
| 0031 | VTVT01431 | SCREW M8X40                         | 1,00     |
| 0032 | MPVR10765 | SUPPORT FOR CLAMP                   | 2,00     |
| 0033 | FSVR00049 | CLAMP 4,5x200 black                 | 2,00     |
| 0034 | VTFR00017 | WASHER STEEL INOX 4X12              | 1,00     |
| 0035 | 897216    | WASHER, D. 8, GRW, UNI1751, INOX    | 4,00     |
| 0036 | 897544    | WASHER, D.12, GROVER, UNI1751, INOX | 1,00     |

# FRAME GROUP - ACTUATOR MODEL

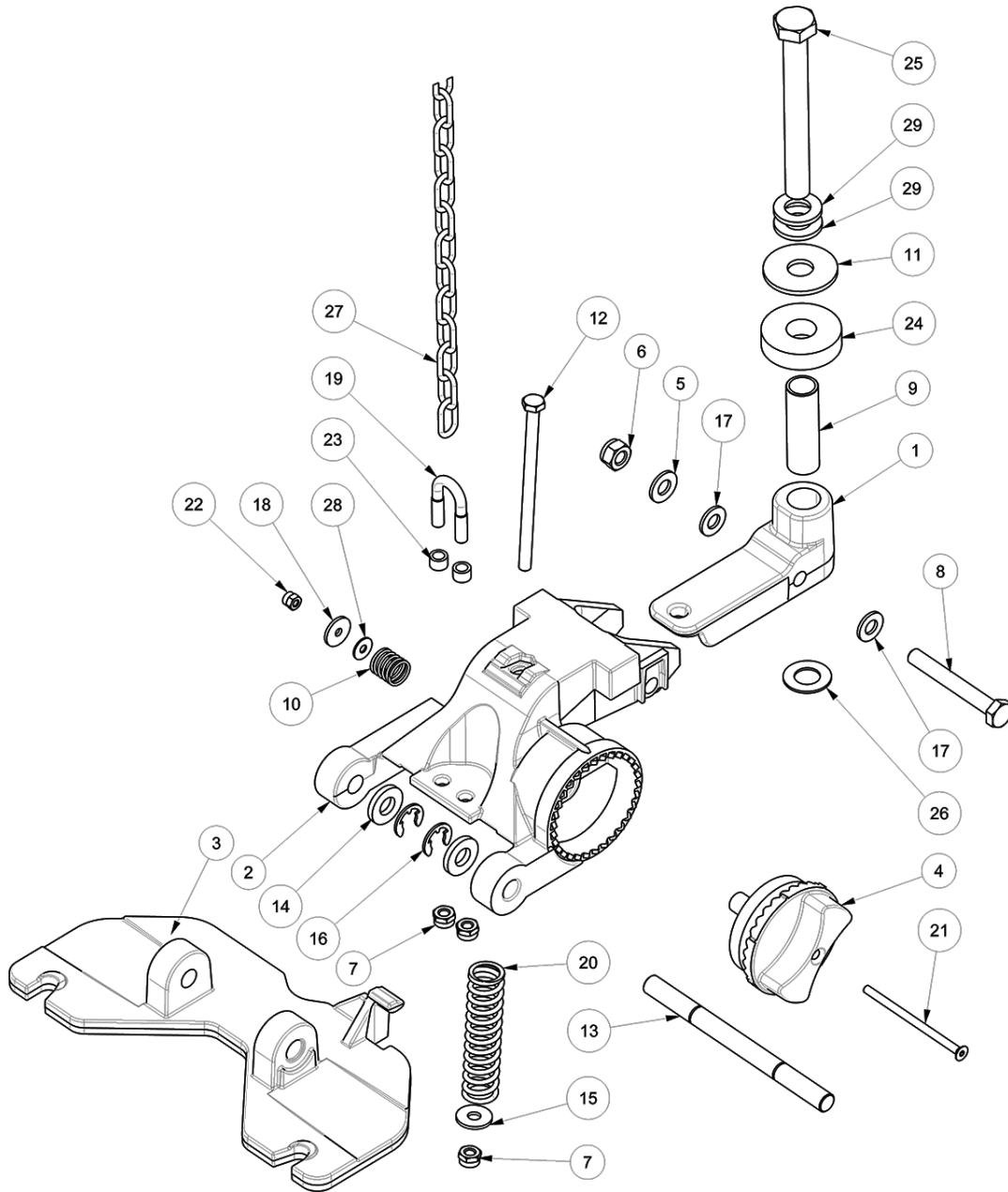




## FRAME GROUP - ACTUATOR MODEL

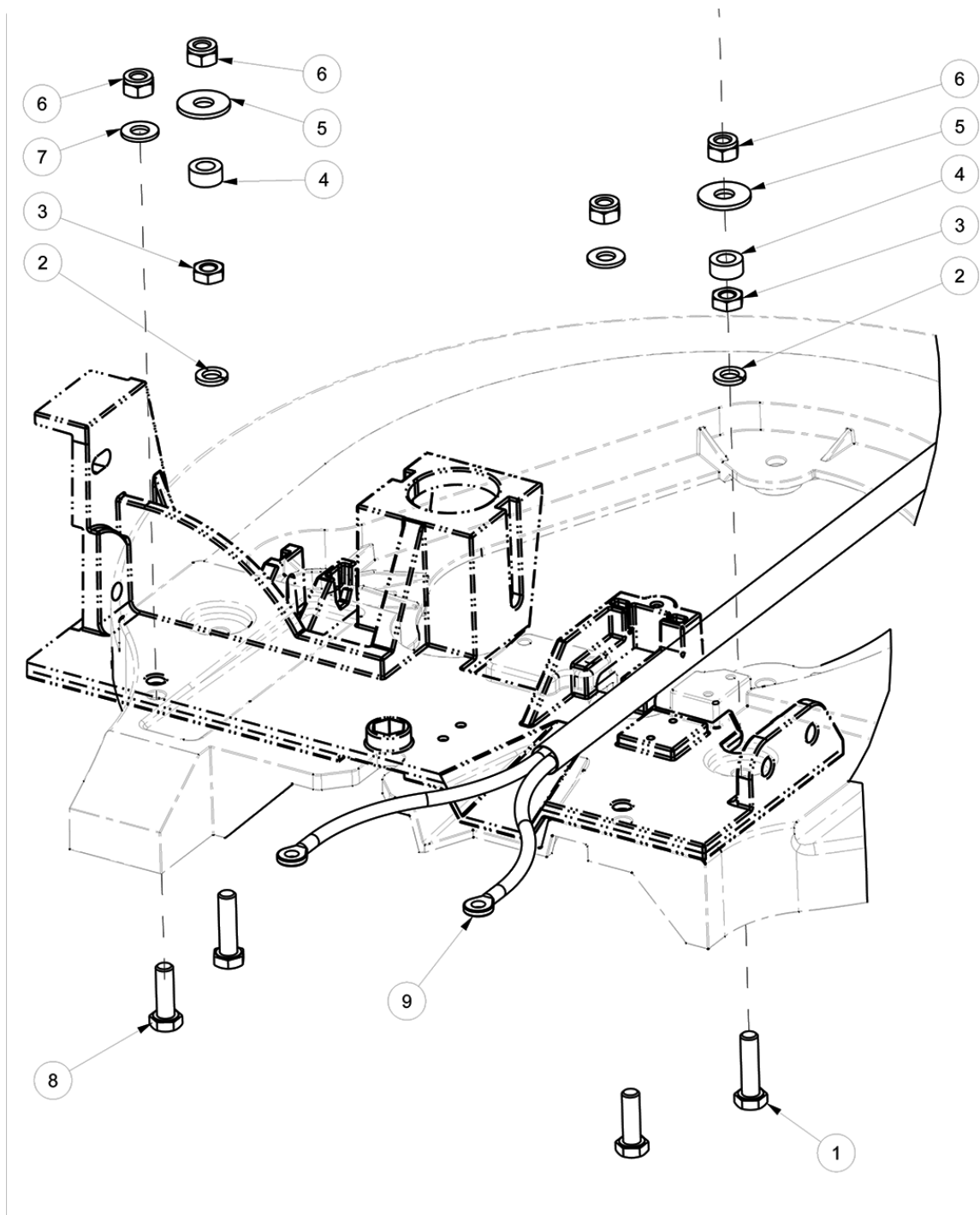
| Ref. | Part No.  | Description                         | Quantity |
|------|-----------|-------------------------------------|----------|
| 0001 | LAFN09477 | FRAME CT50/70                       | 1,00     |
| 0002 | MFVR00286 | SUPPORT -                           | 1,00     |
| 0003 | MFVR00287 | SUPPORT -                           | 1,00     |
| 0004 | VTVT01352 | SCREW TSPEI M8X20                   | 6,00     |
| 0005 | MFVR00283 | SUPPORT -                           | 1,00     |
| 0006 | MFVR00284 | SUPPORT -                           | 1,00     |
| 0007 | 897215    | WASHER, D.12X24, UNI6592, INOX      | 1,00     |
| 0008 | MLML00095 | DISC SPRINGS 12,2x25x0,9 DIN 2093   | 12,00    |
| 0009 | LAFN10998 | BUSHING -                           | 6,00     |
| 0010 | LAFN09420 | ARM -                               | 1,00     |
| 0011 | MFVR00240 | BRACKET BRUSH HEAD SUPPORT CT51     | 1,00     |
| 0012 | LAFN09421 | LEVER -                             | 1,00     |
| 0013 | 897152    | WASHER, D.8, UNI6592, INOX          | 7,00     |
| 0014 | VTVT00140 | SCREW TE M8x30                      | 2,00     |
| 0015 | VTDD01701 | NUT M8                              | 15,00    |
| 0016 | 897241    | NUT, M.12, INOX, A2                 | 1,00     |
| 0017 | 9017788   | CASTER, SWIVEL, PU, 80MM X 25MM     | 1,00     |
| 0018 | VTVT00781 | SCREW TSPEI M.8-25                  | 1,00     |
| 0019 | MPVR06505 | COVERING ELECTRONIC BOX CT51        | 1,00     |
| 0020 | 897384    | WASHER D. 5X14 INX                  | 4,00     |
| 0021 | 897123    | SCREW M4X16                         | 1,00     |
| 0022 | 897156    | WASHER D. 4 INX                     | 1,00     |
| 0023 | 897276    | NUT M 4 ATB A2                      | 1,00     |
| 0024 | VTVT00017 | SCREW TE UNI 5739 8X35 ZB           | 2,00     |
| 0025 | LAFN11014 | PIN -                               | 1,00     |
| 0026 | LAFN11077 | PLATE -                             | 1,00     |
| 0027 | VTVT01322 | SCREW TSPEI 8X45 UNI5933 INX        | 2,00     |
| 0028 | VTVT01297 | SCREW M 4X 8 TCB-TC UNI 8112        | 7,00     |
| 0029 | VTVR00335 | TIE ROD -                           | 1,00     |
| 0030 | 897229    | NUT, M8, UNI5588, INOX, A2          | 1,00     |
| 0031 | VTVT01431 | SCREW M8X40                         | 1,00     |
| 0032 | MPVR10765 | SUPPORT FOR CLAMP                   | 2,00     |
| 0033 | FSVR00049 | CLAMP 4,5x200 black                 | 2,00     |
| 0034 | VTRS00017 | WASHER STEEL INOX 4X12              | 1,00     |
| 0035 | 897216    | WASHER, D. 8, GRW, UNI1751, INOX    | 4,00     |
| 0036 | 897544    | WASHER, D.12, GROVER, UNI1751, INOX | 1,00     |

# SQUEEGEE SUPPORT BRACKET GROUP



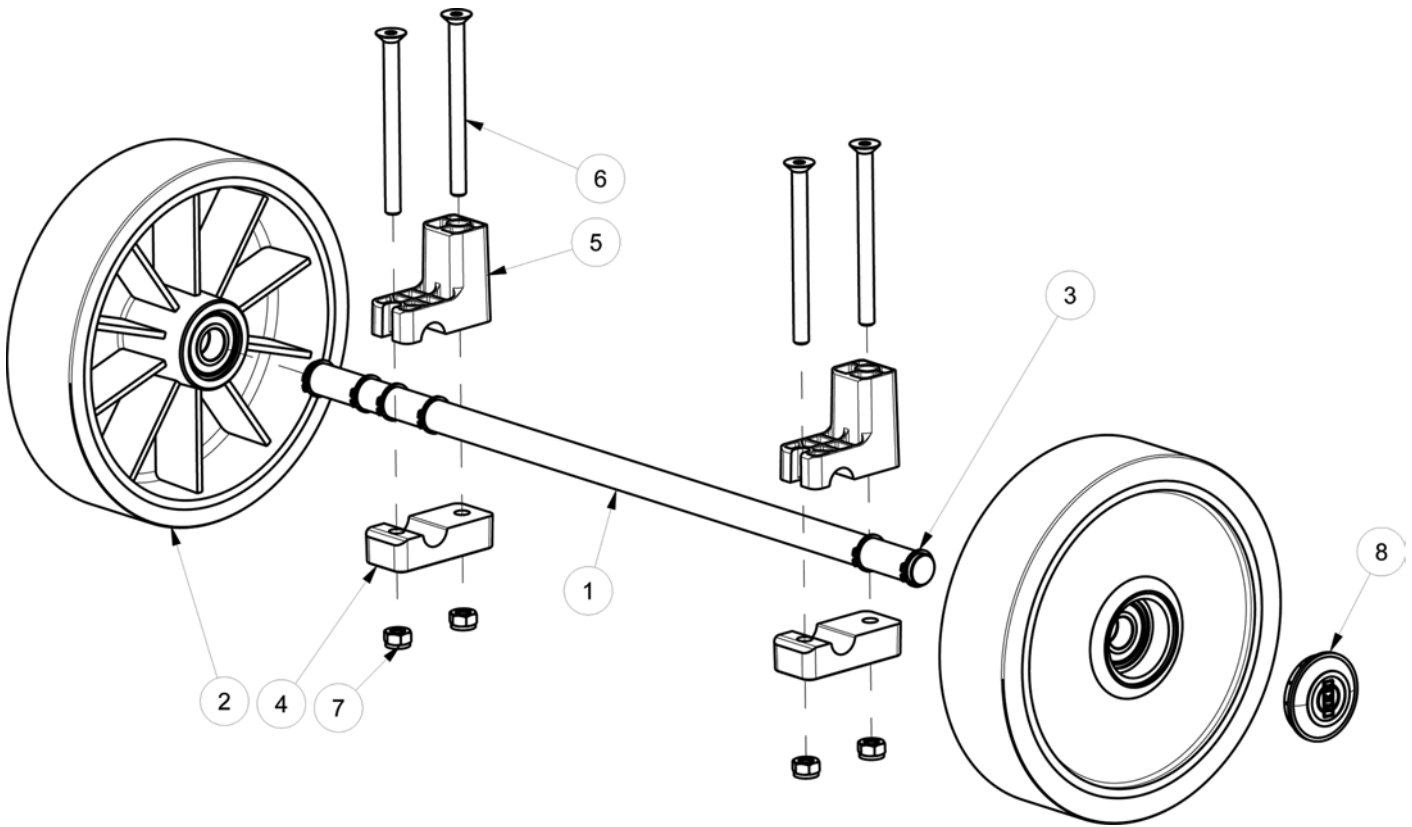
| Ref. | Part No.  | Description                    | Quantity |
|------|-----------|--------------------------------|----------|
| 0001 | MFVR00235 | SUPPORT PIVOT SQUEEGEE         | 1,00     |
| 0002 | MFVR00236 | SUPPORT REGULATION SQUEEGEE    | 1,00     |
| 0003 | MFVR00237 | SUPPORT SQUEEGEE               | 1,00     |
| 0004 | MPVR06468 | KNOB SQUEEGEE ANGLE ADJUSTMENT | 1,00     |
| 0005 | 897152    | WASHER, D.8, UNI6592, INOX     | 1,00     |
| 0006 | 897124    | NUT, M8, INOX                  | 1,00     |
| 0007 | 897138    | NUT M6 INOX                    | 3,00     |
| 0008 | 897253    | SCREW, M8X60                   | 1,00     |
| 0009 | LAFN09439 | BUSHING 13X16X51               | 1,00     |
| 0010 | MLML00491 | SPRING SQUEEGEE KNOB           | 1,00     |
| 0011 | 897247    | WASHER, D. 12X36X2.5, UNI6593  | 1,00     |
| 0012 | VTVT01437 | SCREW TE M6x100                | 1,00     |
| 0013 | LAFN09417 | PIN FOR SQUEEGEE SUPPORT       | 1,00     |
| 0014 | VTRS00382 | WASHER -                       | 2,00     |
| 0015 | 897112    | WASHER D. 6X18 INX UNI 6593    | 1,00     |
| 0016 | VTAE00012 | SEEGER RADIALE UNI 7434 D.10   | 2,00     |
| 0017 | 897157    | WASHER NYLON 66 D. 84X17X2     | 2,00     |
| 0018 | 897149    | WASHER 4-16 INOX A2            | 1,00     |
| 0019 | 897251    | BRACKET, M6X11X29              | 1,00     |
| 0020 | MLML00490 | SPRING -                       | 1,00     |
| 0021 | VTVT01585 | SCREW 4X70 UNI 5933            | 1,00     |
| 0022 | 897160    | NUT, M4, INOX, ZN              | 1,00     |
| 0024 | 897255    | WASHER, M15X40                 | 1,00     |
| 0025 | VTVT01503 | SCREW M12X105 UNI5737 ZN 8.8   | 1,00     |
| 0026 | VTRS88000 | WASHER ELAST.ONDUL.DI 13       | 1,00     |
| 0027 | MTCR00107 | CHAIN SQUEEGEE LIFTING         | 1,00     |
| 0028 | VTRS00017 | WASHER STEEL INOX 4X12         | 1,00     |
| 0029 | 897215    | WASHER, D.12X24, UNI6592, INOX | 2,00     |

# WHEEL FRAME GROUP [PAD ASSIST MODEL]



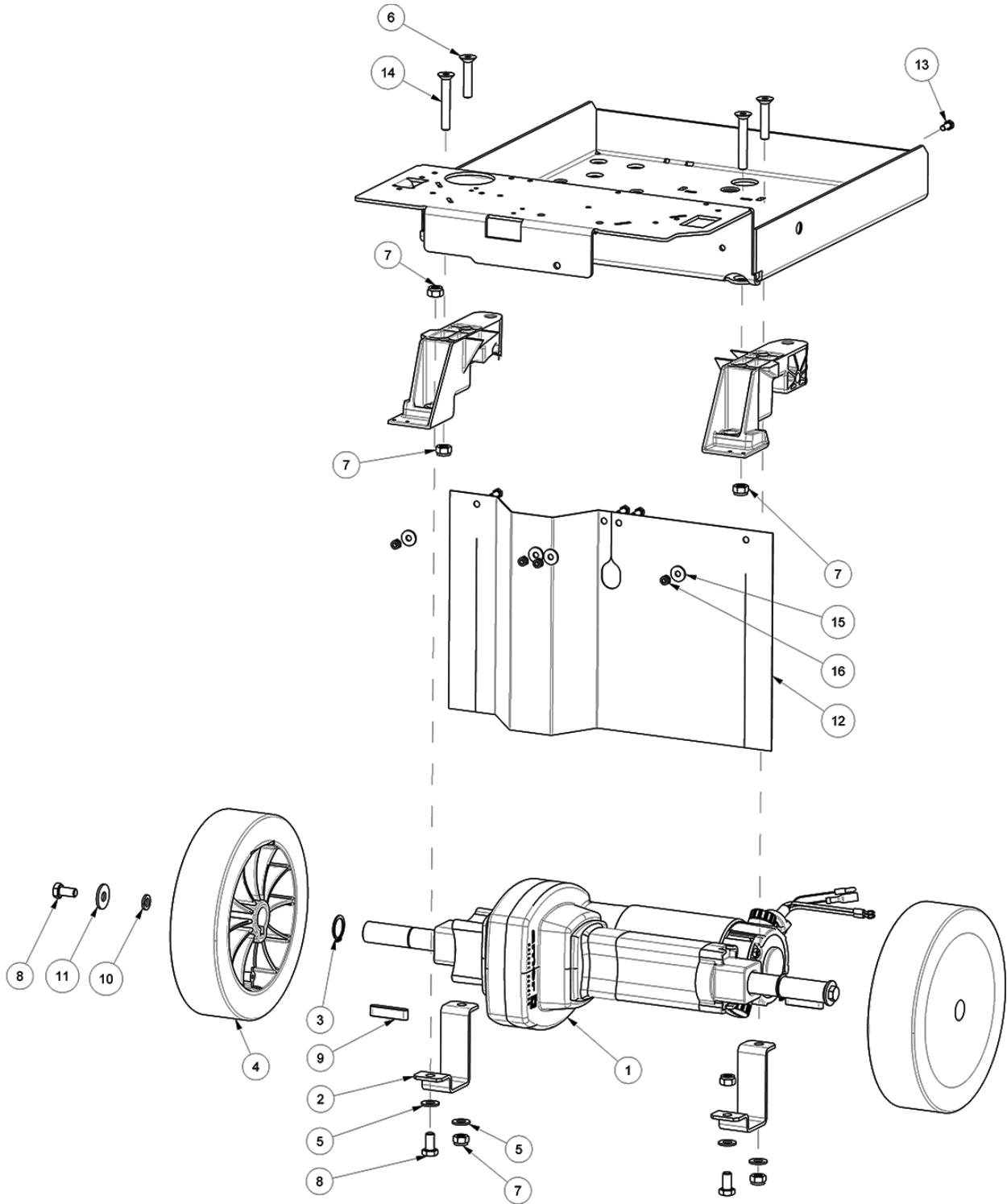
| Ref. | Part No.  | Description                      | Quantity |
|------|-----------|----------------------------------|----------|
| 0001 | 897246    | SCREW, TE, M8X30, UNI5739, INOX  | 2,00     |
| 0002 | 897216    | WASHER, D. 8, GRW, UNI1751, INOX | 2,00     |
| 0003 | VTDD00057 | NUT UNI 5589 M8 BASSO ZB         | 2,00     |
| 0004 | LAFN11003 | SPACER -                         | 2,00     |
| 0005 | 897120    | WASHER, D.8X24, UNI6593, INOX    | 2,00     |
| 0006 | 897124    | NUT, M8, INOX                    | 4,00     |
| 0007 | 897152    | WASHER, D.8, UNI6592, INOX       | 2,00     |
| 0008 | 897233    | SCREW, TE, M8X25, UNI5739, INOX  | 2,00     |
| 0009 | MECB01945 | WIRING                           | 1,00     |

# WHEEL GROUP [PAD ASSIST MODEL]



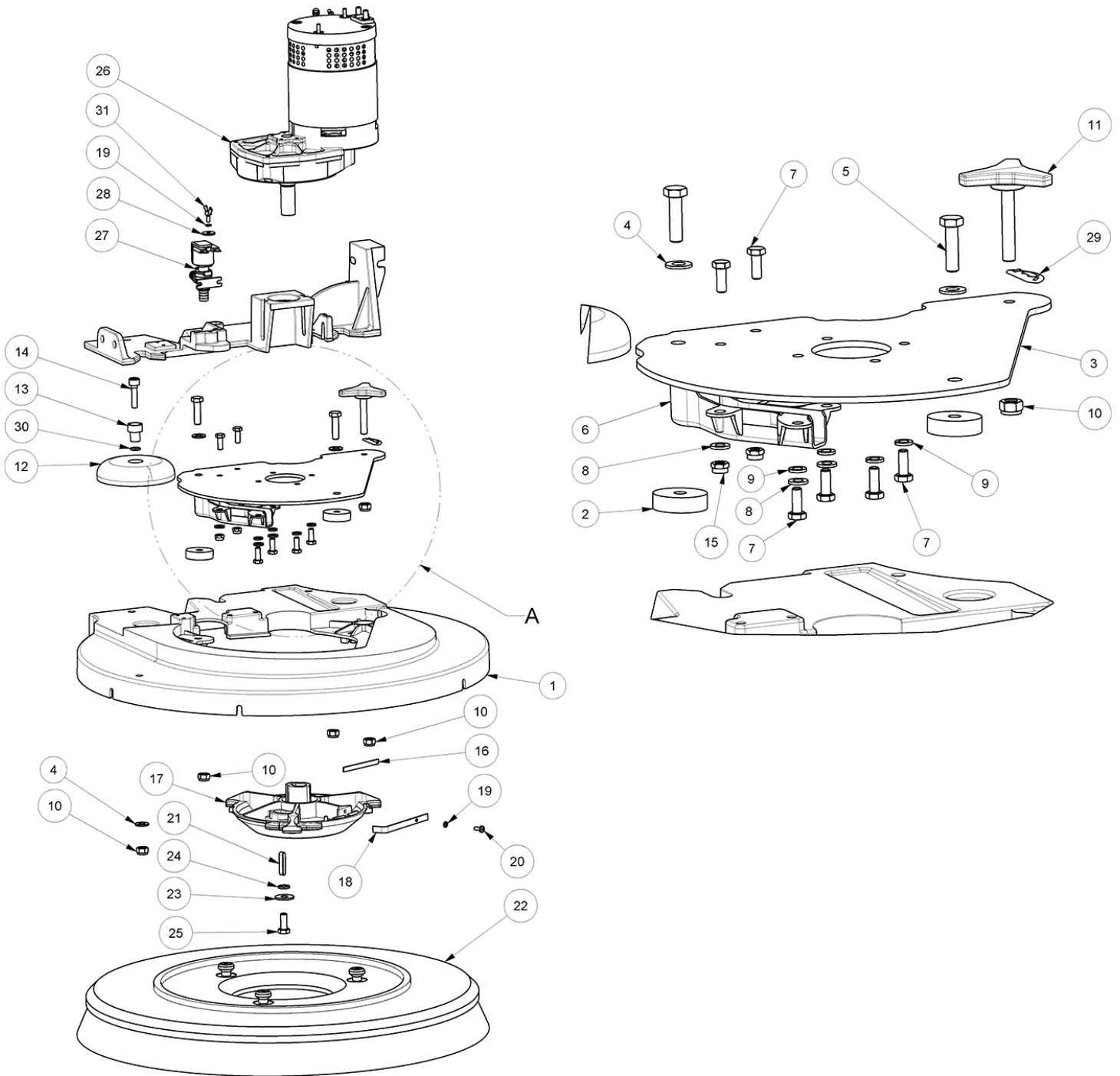
| Ref. | Part No.  | Description            | Quantity |
|------|-----------|------------------------|----------|
| 0001 | LAFN09422 | AXLE -                 | 1,00     |
| 0002 | RTRT00577 | WHEEL D.200 LW 3K17    | 2,00     |
| 0003 | VTAE00084 | CIRCLIP D. 20          | 6,00     |
| 0004 | MPVR06485 | HOSE COLLAR            | 2,00     |
| 0005 | MPVR10579 | SUPPORT -              | 2,00     |
| 0006 | VTVT01590 | SCREW M8X100 UNI933 A2 | 4,00     |
| 0007 | 897124    | NUT, M8, INOX          | 4,00     |
| 0008 | MPVR11199 | CAP G48                | 2,00     |

# WHEEL GROUP [PROPEL MODEL]



| Ref. | Part No.  | Description                            | Quantity |
|------|-----------|--|----------|
| 0001 | MOCC00465 | MOTOR TRACTION 24V 200W                | 1,00     |
| 0001 | 9017743   | VR, BRUSH KIT, MOTOR, TRANSAXLE [2 PC] | 1,00     |
| 0002 | LAFN09453 | SUPPORT TRACTION MOTOR                 | 2,00     |
| 0003 | 897280    | CIRCLIP, D. 20, UNI7435                | 2,00     |
| 0004 | 897346    | WHEEL D.200                            | 2,00     |
| 0005 | 897152    | WASHER, D.8, UNI6592, INOX             | 4,00     |
| 0006 | VTVT01589 | SCREW M8X40 UNI933 A2                  | 2,00     |
| 0007 | VTDD01701 | NUT M8                                 | 6,00     |
| 0008 | 897184    | SCREW, TE, M8X16, UNI5739, A2          | 4,00     |
| 0009 | 897351    | KEY, M6X10X40, UNI6604 A (H.10)        | 2,00     |
| 0010 | 897216    | WASHER, D. 8, GRW, UNI1751, INOX       | 2,00     |
| 0011 | 897120    | WASHER, D.8X24, UNI6593, INOX          | 2,00     |
| 0012 | MPVR10760 | FLAP TRACTION MOTOR                    | 1,00     |
| 0013 | 897459    | SCREW, M5X12, TE, INOX                 | 4,00     |
| 0014 | VTVT00992 | SCREW M8x55 INOX                       | 2,00     |
| 0015 | 897384    | WASHER D. 5X14 INX                     | 4,00     |
| 0016 | VTDD01693 | NUT, M5, INOX                          | 4,00     |

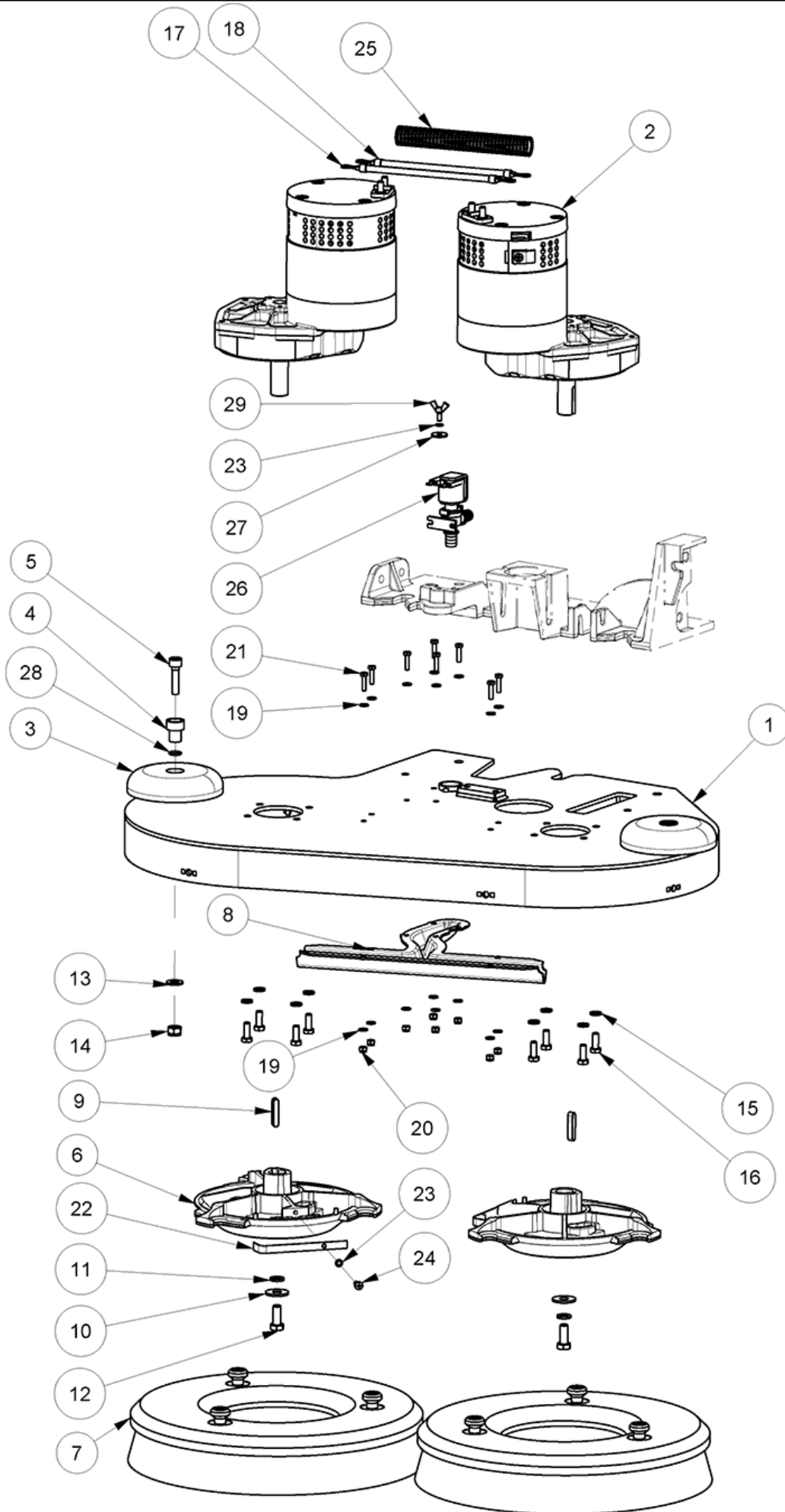
# SCRUB HEAD GROUP [55CM MODEL]



## SCRUB HEAD GROUP [55CM MODEL]

| Ref. | Part No.  | Description                             | Quantity |
|------|-----------|---|----------|
| 0001 | MFVR00238 | HEAD DECK ALUMINIUM 50-55               | 1,00     |
| 0002 | GUVR01012 | WASHER 8X35                             | 2,00     |
| 0003 | LAFN09424 | PLATE -                                 | 1,00     |
| 0004 | 897152    | WASHER, D.8, UNI6592, INOX              | 3,00     |
| 0005 | 897530    | SCREW, TE, M8X30, UNI5737, INOX         | 2,00     |
| 0006 | MPVR06503 | TUBE                                    | 1,00     |
| 0007 | 897128    | SCREW TE 6X16 UNI5739                   | 6,00     |
| 0008 | 897106    | WASHER D.6 UNI 6592 INOX                | 4,00     |
| 0009 | 897129    | WASHER D. 6 INX GRW UNI 1751            | 4,00     |
| 0010 | 897124    | NUT, M8, INOX                           | 5,00     |
| 0011 | MPVR10568 | HANDWHEEL -                             | 1,00     |
| 0012 | 897101    | WHEEL, BMPR, 98,5d X 21,5W              | 1,00     |
| 0013 | 897121    | BUSHING NUOVO RUOTINO STRONG            | 1,00     |
| 0014 | 897122    | SCREW, TCEI, M8X30                      | 1,00     |
| 0015 | 897138    | NUT M6 INOX                             | 2,00     |
| 0016 | MLML00470 | SPRING -                                | 1,00     |
| 0017 | MFVR00327 | DRIVE DISK CONICAL ALUM.                | 1,00     |
| 0018 | MLML00350 | SPRING ALUM. CONICAL DRIVER             | 1,00     |
| 0019 | 897204    | WASHER D. 4 GROVER A2 UNI1751           | 1,00     |
| 0020 | 897313    | SCREW, TCB, TC, M4X10                   | 2,00     |
| 0021 | VTVR16617 | WEDGE 6X 6X30 UNI 6604                  | 1,00     |
| 0022 | 9017761   | BRUSH ASSY, DISK, SCB, 50CM, 3-LUG, PYP | 1,00     |
| 0023 | 897120    | WASHER, D.8X24, UNI6593, INOX           | 1,00     |
| 0024 | 897216    | WASHER, D. 8, GRW, UNI1751, INOX        | 1,00     |
| 0025 | 897316    | SCREW, TE, M8X20, UNI5739, INOX         | 1,00     |
| 0026 | MOCC00449 | MOTOR BRUSH CT51-71 BT55                | 1,00     |
| 0026 | MEVR02923 | CARBON MOCC00449-MOCC00450              | 1,00     |
| 0027 | 9017718   | VALVE, WATER, SOLENOID, 24VDC           | 1,00     |
| 0028 | 897149    | WASHER 4-16 INOX A2                     | 1,00     |
| 0029 | KTRI06377 | LABEL, KIT, T291 (COMPLETE SET)         | 1,00     |
| 0030 | 897102    | O-RING, 13.00 Od X 10.00 Id             | 1,00     |
| 0031 | 897169    | SCREW, M4X10                            | 1,00     |

SCRUB HEAD GROUP [60CM MODEL]

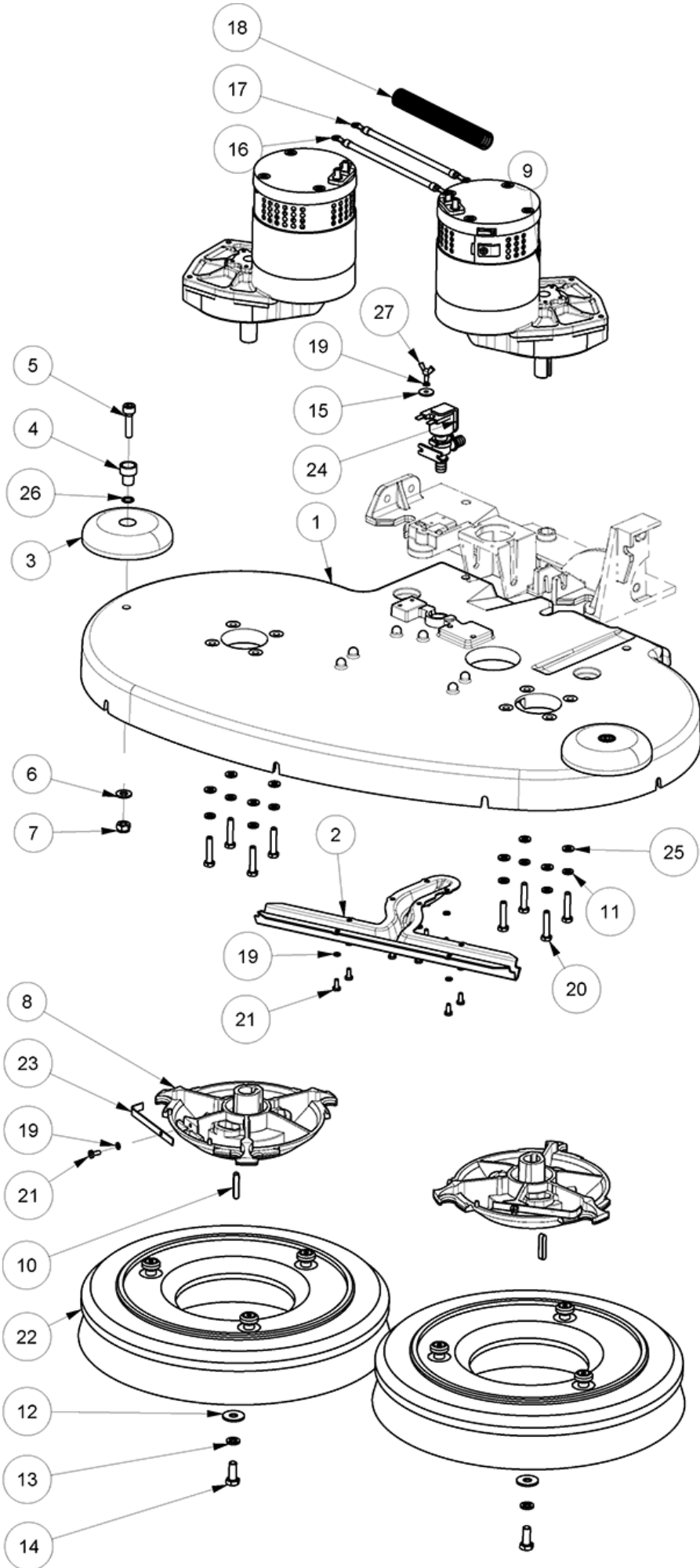




## SCRUB HEAD GROUP [60CM MODEL]

| Ref. | Part No.  | Description                             | Quantity |
|------|-----------|---|----------|
| 0001 | LAFN09443 | HEAD 60                                 | 1,00     |
| 0002 | MOCC00450 | MOTOR BRUSH                             | 2,00     |
| 0002 | MEVR02923 | CARBON MOCC00449-MOCC00450              | 1,00     |
| 0003 | 897101    | WHEEL, BMPR, 98,5d X 21,5W              | 2,00     |
| 0004 | 897121    | BUSHING NUOVO RUOTINO STRONG            | 2,00     |
| 0005 | 897122    | SCREW, TCEI, M8X30                      | 1,00     |
| 0006 | MFVR00301 | DRIVE DISK                              | 2,00     |
| 0007 | 9017729   | BRUSH ASSY, DISK, SCB, 30CM, 3-LUG, PYP | 2,00     |
| 0008 | MPVR06487 | TUBE -                                  | 1,00     |
| 0009 | VTVR16617 | WEDGE 6X 6X30 UNI 6604                  | 2,00     |
| 0010 | 897120    | WASHER, D.8X24, UNI6593, INOX           | 2,00     |
| 0011 | 897216    | WASHER, D. 8, GRW, UNI1751, INOX        | 2,00     |
| 0012 | 897316    | SCREW, TE, M8X20, UNI5739, INOX         | 2,00     |
| 0013 | 897152    | WASHER, D.8, UNI6592, INOX              | 2,00     |
| 0014 | 897124    | NUT, M8, INOX                           | 2,00     |
| 0015 | 897129    | WASHER D. 6 INX GRW UNI 1751            | 8,00     |
| 0016 | 897128    | SCREW TE 6X16 UNI5739                   | 8,00     |
| 0017 | MECB01014 | CABLE 6,5mmq                            | 1,00     |
| 0018 | MECB02008 | WIRING L320 RED W/TERMINALS             | 1,00     |
| 0019 | 897156    | WASHER D. 4 INX                         | 16,00    |
| 0020 | 897276    | NUT M 4 ATB A2                          | 8,00     |
| 0021 | 897195    | SCREW, TE, M4X16, UNI5739, INOX         | 8,00     |
| 0022 | MLML00350 | SPRING ALUM. CONICAL DRIVER             | 2,00     |
| 0023 | 897204    | WASHER D. 4 GROVER A2 UNI1751           | 2,00     |
| 0024 | 897313    | SCREW, TCB, TC, M4X10                   | 3,00     |
| 0025 | MEVR01577 | FAIR-LEAD CT90                          | 1,00     |
| 0026 | 9017718   | VALVE, WATER, SOLENOID, 24VDC           | 1,00     |
| 0027 | 897149    | WASHER 4-16 INOX A2                     | 1,00     |
| 0028 | 897102    | O-RING, 13.00 Od X 10.00 Id             | 2,00     |
| 0029 | 897169    | SCREW, M4X10                            | 1,00     |

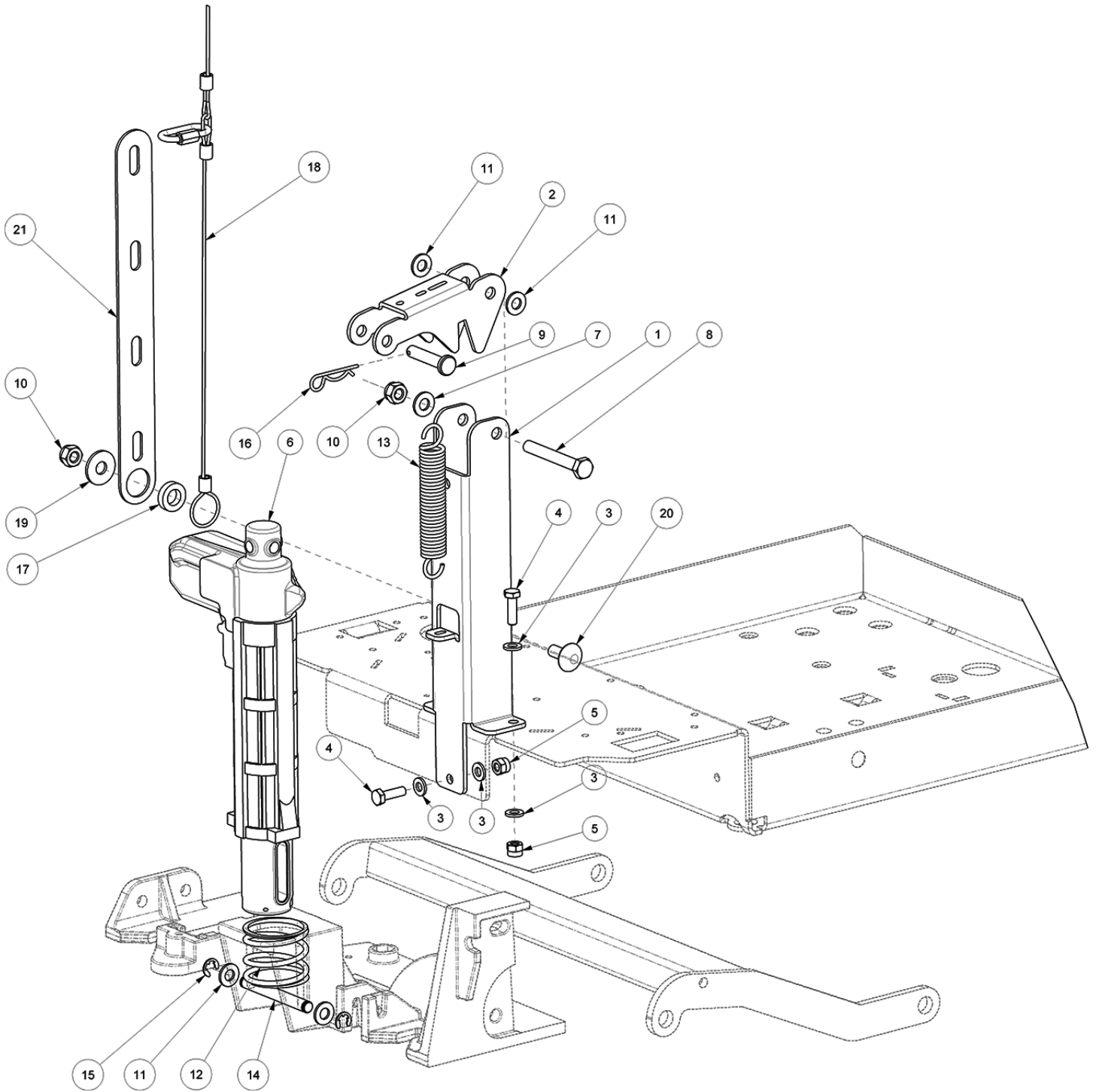
# SCRUB HEAD GROUP [70CM MODEL]



## SCRUB HEAD GROUP [70CM MODEL]

| Ref. | Part No.  | Description                             | Quantity |
|------|-----------|---|----------|
| 0001 | MFVR00239 | BRUSH DECK ALUMINIUM                    | 1,00     |
| 0002 | MPVR06489 | DISTRIBUTOR WATER CT51 BT70             | 1,00     |
| 0003 | 897101    | WHEEL, BMPR, 98,5d X 21,5W              | 2,00     |
| 0004 | 897121    | BUSHING NUOVO RUOTINO STRONG            | 2,00     |
| 0005 | 897122    | SCREW, TCEI, M8X30                      | 2,00     |
| 0006 | 897152    | WASHER, D.8, UNI6592, INOX              | 2,00     |
| 0007 | 897124    | NUT, M8, INOX                           | 2,00     |
| 0008 | MFVR00242 | DRIVE DISK CONICAL ALUMINIUM            | 2,00     |
| 0009 | MOCC00450 | MOTOR BRUSH CT51-71 BT60-70             | 2,00     |
| 0009 | MEVR02923 | CARBON MOCC00449-MOCC00450              | 1,00     |
| 0010 | VTVR16617 | WEDGE 6X 6X30 UNI 6604                  | 2,00     |
| 0011 | 897129    | WASHER D. 6 INX GRW UNI 1751            | 8,00     |
| 0012 | 897120    | WASHER, D.8X24, UNI6593, INOX           | 2,00     |
| 0013 | 897216    | WASHER, D. 8, GRW, UNI1751, INOX        | 2,00     |
| 0014 | 897316    | SCREW, TE, M8X20, UNI5739, INOX         | 2,00     |
| 0015 | 897149    | WASHER 4-16 INOX A2                     | 1,00     |
| 0016 | MECB01014 | CABLE 6,5mmq                            | 1,00     |
| 0017 | MECB02008 | WIRING L320 RED W/TERMINALS             | 1,00     |
| 0018 | MEVR01577 | FAIR-LEAD CT90                          | 1,00     |
| 0019 | 897204    | WASHER D. 4 GROVER A2 UNI1751           | 10,00    |
| 0020 | VTVT00433 | SCREW 6X 30                             | 8,00     |
| 0021 | 897313    | SCREW, TCB, TC, M4X10                   | 11,00    |
| 0022 | 9017816   | BRUSH ASSY, DISK, SCB, 35CM, 3-LUG, PYP | 2,00     |
| 0023 | MLML00350 | SPRING ALUM. CONICAL DRIVER             | 2,00     |
| 0024 | 9017718   | VALVE, WATER, SOLENOID, 24VDC           | 1,00     |
| 0025 | 897106    | WASHER D.6 UNI 6592 INOX                | 8,00     |
| 0026 | 897102    | O-RING, 13.00 Od X 10.00 Id             | 2,00     |
| 0027 | 897169    | SCREW, M4X10                            | 1,00     |

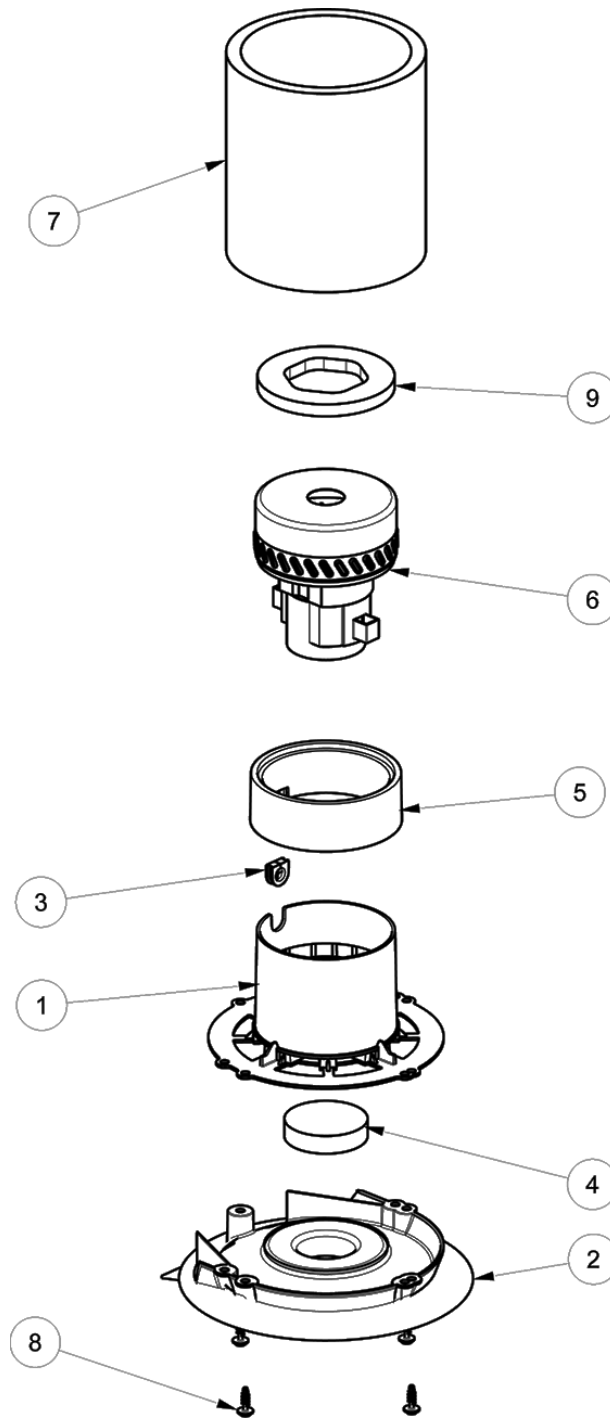
# ACTUATOR GROUP



# ACTUATOR GROUP

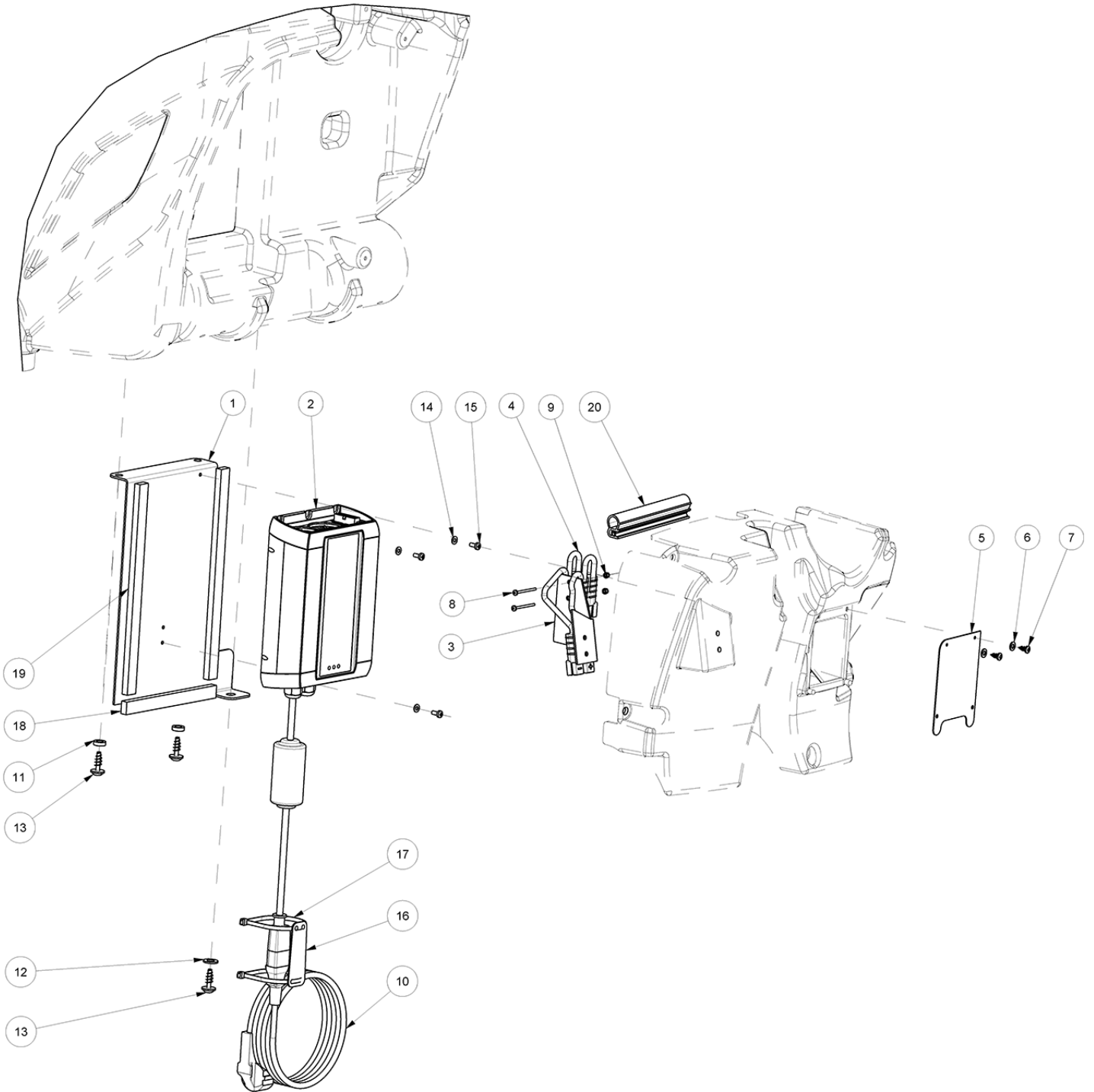
| Ref. | Part N.   | Description                   | Quantity |
|------|-----------|-------------------------------|----------|
| 0001 | LAFN09431 | BRACKET -                     | 1,00     |
| 0002 | LAFN11042 | LEVER -                       | 1,00     |
| 0003 | 897106    | WASHER D.6 UNI 6592 INOX      | 6,00     |
| 0004 | 897287    | SCREW TE 6X20 UNI5739 INX     | 3,00     |
| 0005 | 897125    | NUT, M6, INOX                 | 3,00     |
| 0006 | MOCC00448 | ACTUATOR CT51-71 XP           | 1,00     |
| 0007 | 897152    | WASHER, D.8, UNI6592, INOX    | 1,00     |
| 0008 | 897253    | SCREW, M8X60                  | 1,00     |
| 0009 | VTVR00634 | PIN 8X40X2                    | 1,00     |
| 0010 | VTDD01701 | NUT M8                        | 2,00     |
| 0011 | 897157    | WASHER NYLON 66 D. 84X17X2    | 4,00     |
| 0012 | MLML00349 | SPRING -                      | 1,00     |
| 0013 | MLML00479 | SPRING -                      | 1,00     |
| 0014 | LAFN11051 | PIN ACTUATOR BRUSH HEAD CT51  | 1,00     |
| 0015 | VTAE00013 | SEEGER RADIALE UNI 7434 D.8   | 2,00     |
| 0016 | VTVR47052 | PIN, ACTUATOR, MOTOR          | 1,00     |
| 0017 | LAFN11009 | SPACER -                      | 1,00     |
| 0018 | CMCV00399 | CABLE -                       | 1,00     |
| 0019 | 897120    | WASHER, D.8X24, UNI6593, INOX | 1,00     |
| 0020 | 897217    | SCREW                         | 1,00     |
| 0021 | MPVR11573 | GUIDE CT51-71                 | 1,00     |

# VACUUM MOTOR GROUP



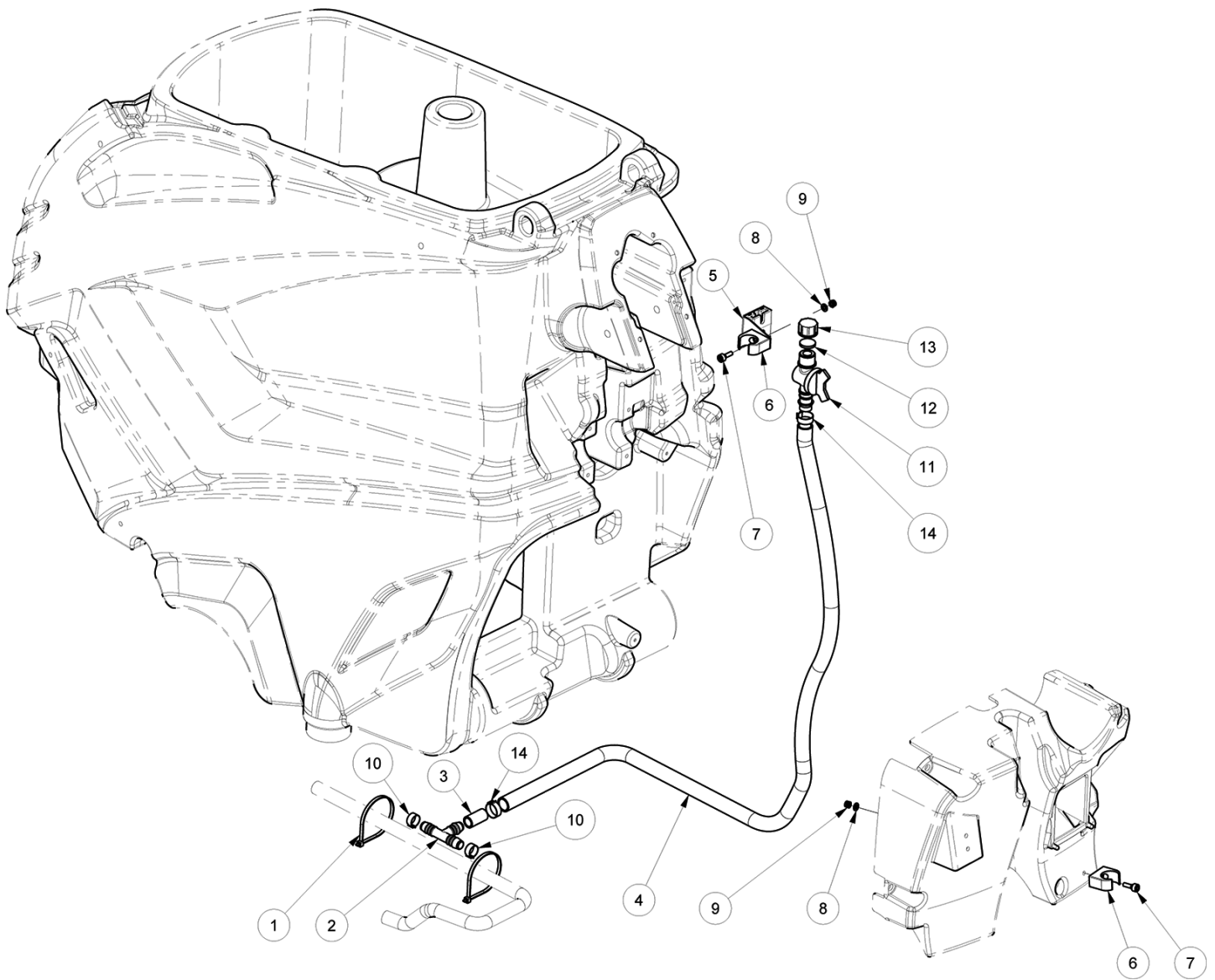
| Ref. | Part No.  | Description                        | Quantity |
|------|-----------|------------------------------------|----------|
| 0001 | MPVR06466 | SUPPORT VACUUM MOTOR 2 ST          | 1,00     |
| 0002 | MPVR06480 | COVERING VACUUM MOTOR              | 1,00     |
| 0003 | 897438    | FAIRLEAD, 13,5D                    | 1,00     |
| 0004 | 897435    | FILTER, FAN                        | 1,00     |
| 0005 | 897440    | GASKET, RBR, FAN                   | 1,00     |
| 0006 | 9017716   | FAN, VACUUM, 24VDC, 2 STAGE        | 1,00     |
| 0006 | 9017687   | CARBON BRUSH, MOTOR, VACFAN        | 1,00     |
| 0007 | ITSO00076 | SOUND-PROOFING VAC. MOTOR EXTERNAL | 1,00     |
| 0008 | VTVT01427 | SCREW STS KN1038 8x25              | 4,00     |
| 0009 | GUGO00509 | GASKET VACUUM MOTOR                | 1,00     |

# BATTERY CHARGER GROUP



| Ref. | Part No.  | Description                       | Quantity |
|------|-----------|-----------------------------------|----------|
| 0001 | LAFN08235 | PLATE -                           | 1,00     |
| 0002 | BACA00190 | BATTERY-CHARGER CBHD1-XR 24-15    | 1,00     |
| 0003 | LAFN11046 | BRACKET -                         | 1,00     |
| 0004 | MECB01964 | WIRING CONNECTION CHARGER/BATT.   | 1,00     |
| 0005 | MPVR10745 | PROTECTION TRANSPARENT POWER CORD | 1,00     |
| 0006 | 897166    | WASHER, D. 5, INOX                | 2,00     |
| 0007 | VTVT48694 | SCREW TCB TC 5 X12 UNI 9707 TZ    | 2,00     |
| 0008 | VTVT00691 | SCREW M3 x 35 DIN 7985 A/2        | 2,00     |
| 0009 | 9018496   | NUT M 3 AUTOBL.DIN 985 IX.A2      | 2,00     |
| 0010 | MECB00922 | CORD, POWER, CHRGR, 230VAC [EU]   | 1,00     |
| 0010 | 1032820   | CORD, POWER, CHRGR, 230VAC [UK]   | 1,00     |
| 0011 | VTRS00383 | WASHER -                          | 2,00     |
| 0012 | 897152    | WASHER, D.8, UNI6592, INOX        | 1,00     |
| 0013 | VTVT01430 | SCREW STS KN1038 8x22 - T40 A2    | 3,00     |
| 0014 | 897156    | WASHER D. 4 INX                   | 3,00     |
| 0015 | 897313    | SCREW, TCB, TC, M4X10             | 3,00     |
| 0016 | MPVR11197 | PLATE POWER CORD HOLDER           | 1,00     |
| 0017 | FSVR00049 | CLAMP 4,5x200 black               | 2,00     |
| 0018 | GUGO00589 | GASKET                            | 1,00     |
| 0019 | GUGO00590 | GASKET                            | 2,00     |
| 0020 | GUVR00010 | GASKET                            | 0,12     |

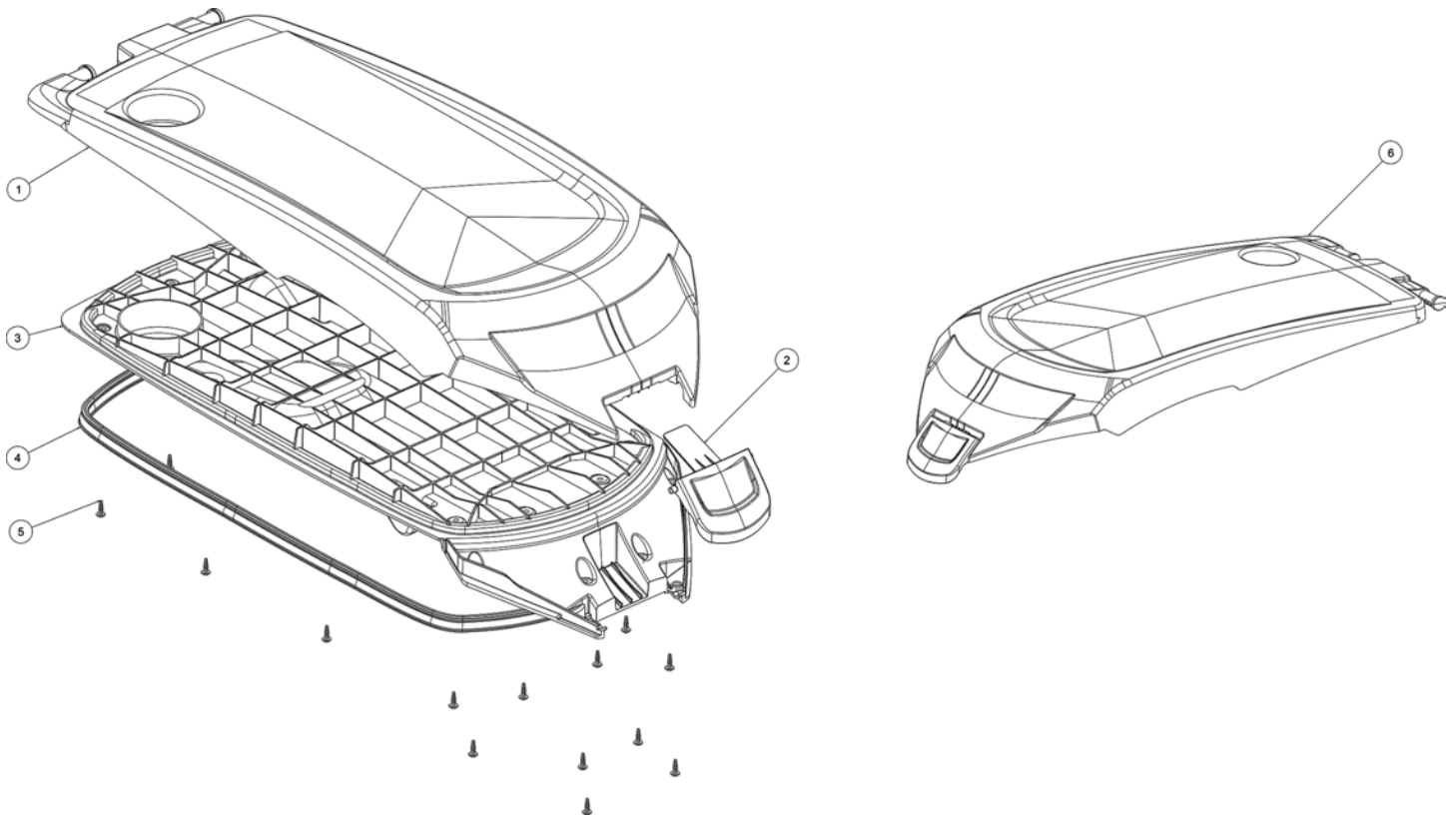
# SOLUTION TANK DRAIN HOSE GROUP



| Ref. | Part No.  | Description               | Quantity |
|------|-----------|---------------------------|----------|
| 0001 | FSVR00049 | CLAMP 4,5x200 black       | 2,00     |
| 0002 | 897268    | CONNECTOR 3 VIE           | 1,00     |
| 0003 | 897272    | TUBE, D.30X12X17          | 1,00     |
| 0004 | 897656    | HOSE, DRAIN, SOLTN        | 1,02     |
| 0005 | LAFN11229 | BRACKET LEVEL TUBE        | 1,00     |
| 0006 | 897266    | CLIP, M25                 | 2,00     |
| 0007 | VTVT17720 | SCREW TCEI M 5X16 INOX    | 2,00     |
| 0008 | 897166    | WASHER, D. 5, INOX        | 2,00     |
| 0009 | VTDD01693 | NUT, M5, INOX             | 2,00     |
| 0010 | 897257    | CLAMP                     | 2,00     |
| 0011 | 897271    | CONNECTOR 1/2 M RESCA 15  | 1,00     |
| 0012 | 897270    | GASKET D.21 SP.3 GOMMA    | 1,00     |
| 0013 | 897269    | CAP 1/2"G X ELETTRIV. ACL | 1,00     |
| 0014 | 897273    | CLAMP                     | 2,00     |

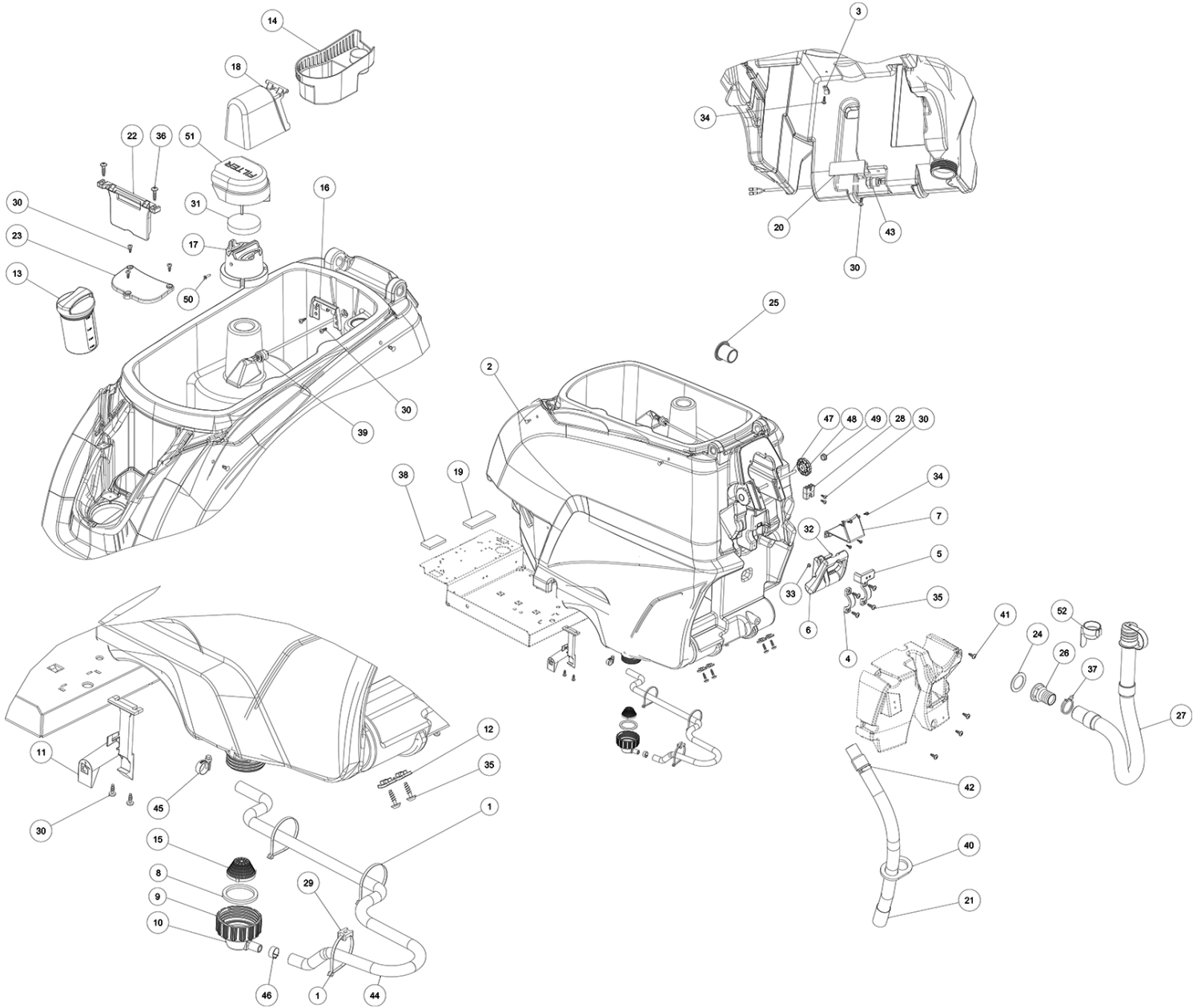


# RECOVERY TANK LID



| Ref. | Part No.  | Description  | Quantity |
|------|-----------|--|----------|
| 0001 | MPVR13035 | COVER RECOVERY TANK RAL7024                                  | 1,00     |
| 0002 | MPVR12967 | LEVER  | 1,00     |
| 0003 | MPVR13047 | COVER RAL7024  | 1,00     |
| 0004 | GUVR01019 | GASKET RECOVERY TANK LID                                     | 1,00     |
| 0005 | VTVT01072 | SCREW STS KN1038 5x16 - T20 A2                               | 17,00    |
| 0006 | KTRI06346 | COVER ASSY, RECOVERY TANK (Includes 1,2,3,4,5 Pre-assembled) | 1,00     |

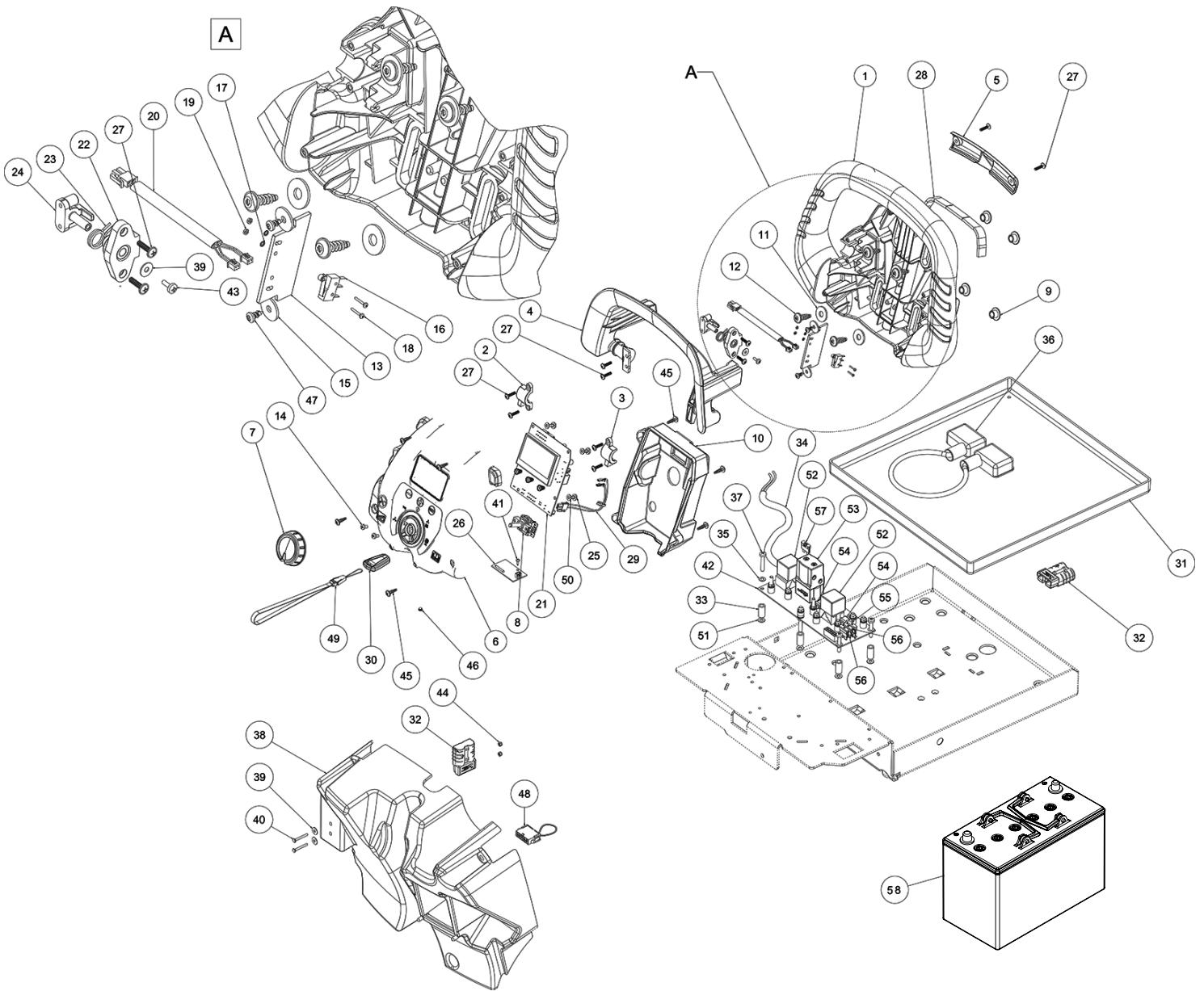
# TANK COMPONENT GROUP



# TANK COMPONENT GROUP

| Ref. | Part No.  | Description                            | Quantity |
|------|-----------|--|----------|
| 0001 | FSVR00049 | CLAMP 4,5x200 black                    | 3,00     |
| 0002 | MPVR11355 | CLIP                                   | 2,00     |
| 0003 | 897334    | DUCT LOCK D.9,5                        | 1,00     |
| 0004 | MPVR06470 | PLATE -                                | 1,00     |
| 0005 | MPVR10564 | SUPPOT -                               | 1,00     |
| 0006 | MPVR13036 | HANDLE RAL7024                         | 1,00     |
| 0007 | MPVR10571 | FLANGE -                               | 1,00     |
| 0008 | GUGO00478 | GASKET SOLUTION FILTER                 | 1,00     |
| 0009 | MPVR06561 | CAP SOLUTION TANK                      | 1,00     |
| 0010 | MPVR10566 | HOSE FITTING SOLUTION FILTER           | 1,00     |
| 0011 | MPVR06475 | LEVER TANK LOCKING                     | 1,00     |
| 0012 | MPVR10562 | SLIDE -                                | 4,00     |
| 0013 | 897463    | CAP, SOLTN, TANK                       | 1,00     |
| 0014 | MPVR06490 | FILTER DEBRIS COLLECTOR                | 1,00     |
| 0015 | MPVR10565 | FILTER SOLUTION TANK                   | 1,00     |
| 0016 | MPVR10576 | SUPPOT -                               | 1,00     |
| 0017 | MPVR11676 | SUPPORT FILTER                         | 1,00     |
| 0018 | MPVR06560 | PROTECTION                             | 1,00     |
| 0019 | MPVR11766 | THICKNESS 110X40X8,5                   | 1,00     |
| 0020 | LAFN11043 | BRACKET -                              | 1,00     |
| 0021 | 9017712   | HOSE ASSY, RECOVERY (includes item 42) | 1,00     |
| 0022 | MPVR13045 | SUPPOT RAL5021                         | 1,00     |
| 0023 | MPVR13046 | COVER RAL5021                          | 1,00     |
| 0024 | GUGO00216 | GASKET TANK DRAIN HOSE CUFF            | 1,00     |
| 0025 | RCVR00339 | CONNECTOR RIF.220.060                  | 1,00     |
| 0026 | RCVR01103 | CONNECTOR 1"1/2F d.45                  | 1,00     |
| 0027 | TBFX01069 | TUBE DRAIN RECOVERY TANK               | 1,00     |
| 0028 | MPVR11684 | JOINT TUBO                             | 1,00     |
| 0029 | MPVR10765 | SUPPORT FOR CLAMP                      | 1,00     |
| 0030 | VTVT01073 | SCREW STS KN1039 6x16 - T25 A2         | 10,00    |
| 0031 | FTDP00678 | FILTER VACUUM MOTOR                    | 1,00     |
| 0032 | VTVT01714 | SCREW TBEI 6X30                        | 1,00     |
| 0033 | 897138    | NUT M6 INOX                            | 1,00     |
| 0034 | VTVT01072 | SCREW STS KN1038 5x16 - T20 A2         | 5,00     |
| 0035 | VTVT01427 | SCREW STS KN1038 8x25 - T40 A2         | 8,00     |
| 0036 | VTVT01429 | SCREW STS KN1038 8x30 - T40 A2         | 2,00     |
| 0037 | FSVR00262 | CLAMP                                  | 1,00     |
| 0038 | MPVR11767 | THICKNESS 75X40X8,5                    | 1,00     |
| 0039 | MECI00662 | SENSOR LEVEL                           | 1,00     |
| 0040 | MPVR04659 | SUCTION HOSE FLANGE                    | 1,00     |
| 0041 | VTVT01430 | SCREW STS KN1038 8x22 - T40 A2         | 4,00     |
| 0042 | MPVR06119 | CLAMP INDICATION , YELLOW              | 1,00     |
| 0043 | MECI00592 | SENSOR SOLUTION TANK                   | 1,00     |
| 0044 | 897256    | TUBE FLEX D.12X3 ARMORV.PVC TR         | 1,00     |
| 0045 | 897362    | CLAMP, HOSE, WORMDRIVE, 12- 20D        | 1,00     |
| 0046 | 897257    | CLAMP                                  | 1,00     |
| 0047 | VTVR01001 | BAR                                    | 1,00     |
| 0048 | MPVR06478 | SMALL KNOB WHEEL ADJUSTMENT            | 2,00     |
| 0049 | MPVR06479 | CAP POMELO                             | 2,00     |
| 0050 | VTVT00835 | SCREW 4.5-20 DIN 7505-A INOX           | 1,00     |
| 0051 | MPVR11641 | COVERING FILTER                        | 1,00     |
| 0052 | MPVR01097 | HOOK DRAIN HOSE                        | 1,00     |

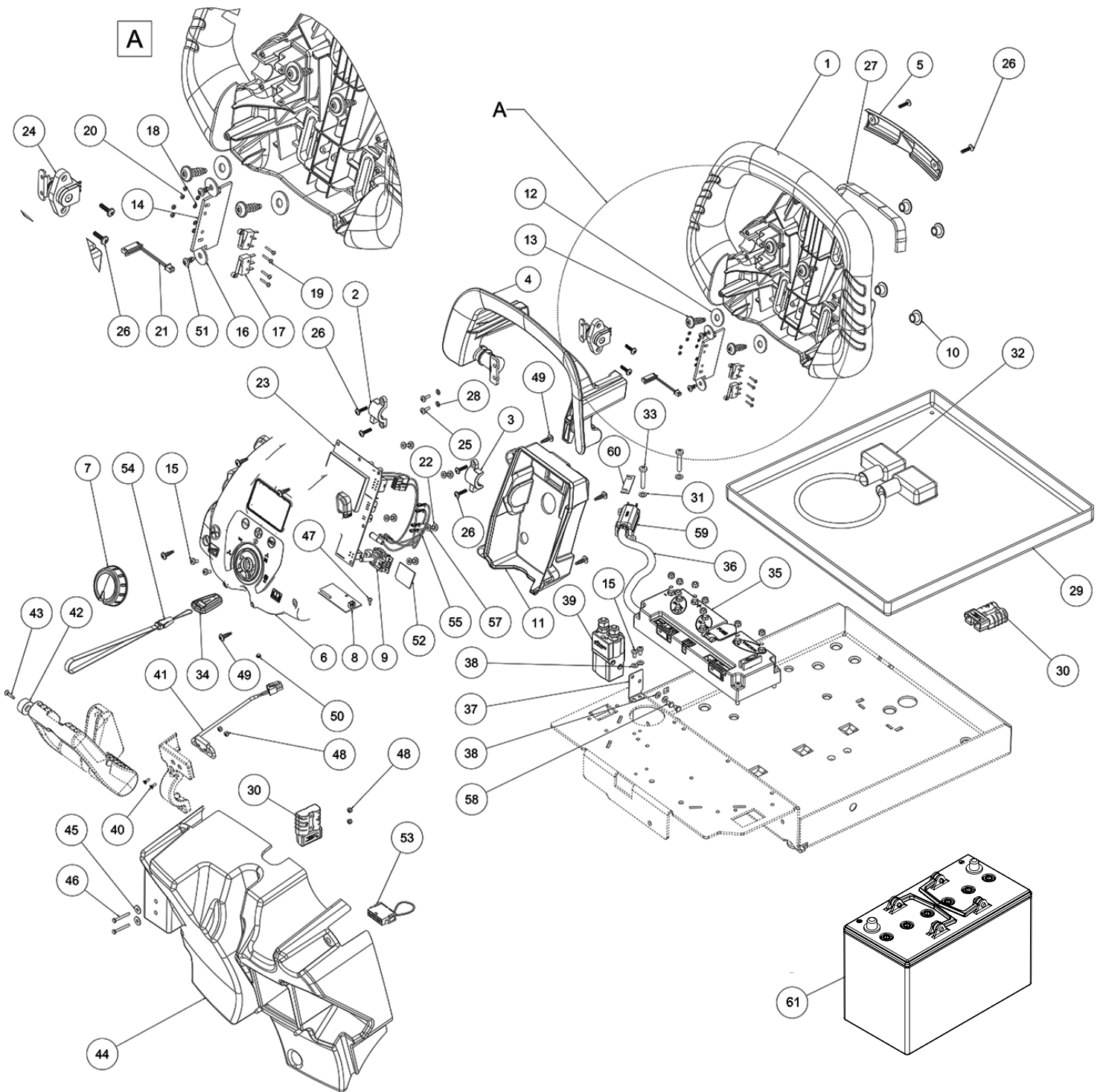
# ELECTRICAL COMPONENT GROUP [PAD ASSIST MODEL]



# ELECTRICAL COMPONENT GROUP [PAD ASSIST MODEL]

| Ref. | Part No.  | Description                      | Quantity |
|------|-----------|----------------------------------|----------|
| 0001 | MPVR13039 | BOARD RAL7024                    | 1,00     |
| 0002 | MPVR06528 | SUPPORT -                        | 1,00     |
| 0003 | MPVR07177 | SUPPORT -                        | 1,00     |
| 0004 | MPVR06526 | LEVER DIRECTION                  | 1,00     |
| 0005 | MPVR13040 | CAP RAL7024                      | 1,00     |
| 0006 | MPVR13041 | BOARD RAL7024                    | 1,00     |
| 0007 | MPVR13038 | SMALL KNOB BLACK                 | 1,00     |
| 0008 | MECI00587 | SELECTOR DIALER SWITCH           | 1,00     |
| 0009 | LAFN10998 | BUSHING -                        | 4,00     |
| 0010 | MPVR11640 | COVERING                         | 1,00     |
| 0011 | 897120    | WASHER, D.8X24, UNI6593, INOX    | 4,00     |
| 0012 | VTVT01427 | SCREW STS KN1038 8x25 - T40 A2   | 4,00     |
| 0013 | MPVR11198 | SPACER CT51/71                   | 1,00     |
| 0014 | 897140    | SCREW, M4X8, TCB, TC, UNI8112    | 2,00     |
| 0015 | VTRS00291 | WASHER, FLAT, 5 X 20             | 2,00     |
| 0016 | MECI00588 | MICROSWITCH                      | 1,00     |
| 0017 | VTRS00581 | WASHER D.2                       | 2,00     |
| 0018 | VTVT01592 | SCREW TC 2X12                    | 2,00     |
| 0019 | VTDD00213 | NUT M2                           | 2,00     |
| 0020 | MECB01951 | WIRING CT51                      | 1,00     |
| 0021 | MECE00746 | BOARD DISPLAY                    | 1,00     |
| 0022 | MPVR07184 | BRACKET -                        | 1,00     |
| 0023 | MLML00352 | SPRING -                         | 1,00     |
| 0024 | MPVR07185 | BRACKET -                        | 1,00     |
| 0025 | 897574    | SCREW SELF TAPPING 4.8X9.5 SUS   | 4,00     |
| 0026 | MECE00749 | BOARD REED                       | 1,00     |
| 0027 | 897669    | SCREW STS KN1031-Neu 4x16 - H2   | 10,00    |
| 0028 | MPVR10772 | GASKET                           | 1,00     |
| 0029 | MECB02018 | WIRING                           | 1,00     |
| 0030 | MEVR02641 | KEY ELECTRONIC                   | 2,00     |
| 0031 | 897207    | BATTERY SUPPORT CT LINE          | 1,00     |
| 0032 | 897298    | PLUG M CB50 A 600V RD.           | 1,00     |
| 0033 | MPVR06501 | SPACER                           | 6,00     |
| 0034 | MECB01928 | WIRING                           | 1,00     |
| 0035 | 897166    | WASHER, D. 5, INOX               | 6,00     |
| 0036 | 897205    | WIRING BATTERY BRIDGE W/TERMINAL | 1,00     |
| 0037 | VTVT01440 | SCREW                            | 6,00     |
| 0038 | MPVR13037 | COVER RAL7024                    | 1,00     |
| 0039 | VTRS00017 | WASHER STEEL INOX 4X12           | 3,00     |
| 0040 | VTVT00021 | SCREW TE UNI 5739 3X25 ZB        | 2,00     |
| 0041 | VTVT00522 | SCREW TCB-TC 2.9X 9.5 UNI6954    | 1,00     |
| 0042 | MECE00733 | PCB RELAY                        | 1,00     |
| 0043 | 897180    | SCREW, M4X10, TCB, TC, INOX      | 1,00     |
| 0044 | 9018496   | NUT M 3 AUTOBL.DIN 985 IX.A2     | 2,00     |
| 0045 | VTVT01072 | SCREW STS KN1038 5x16 - T20 A2   | 7,00     |
| 0046 | MPVR10701 | RUBBER KEY HOLD CT51             | 1,00     |
| 0047 | VTVT48694 | SCREW TCB TC 5 X12 UNI 9707 TZ   | 2,00     |
| 0048 | MECB01981 | WIRING BRIDGE CT51 W/O CHARGER   | 1,00     |
| 0049 | MPVR11496 | CORD, KEY                        | 1,00     |
| 0050 | VTRS00570 | WASHER -                         | 4,00     |
| 0051 | VTRS00596 | WASHER -                         | 6,00     |
| 0052 | 897209    | RELAY 24V 70A                    | 2,00     |
| 0053 | 897208    | CONTACTOR 100A                   | 1,00     |
| 0054 | 9018332   | FUSE, 50A                        | 2,00     |
| 0055 | MEVR01132 | FUSE A LAMA 5 A.                 | 1,00     |
| 0056 | MEVR01428 | FUSE 2A                          | 2,00     |
| 0057 | 897510    | FUSE 30A                         | 1,00     |
| 0058 | 994200    | BATTERY, GEL, 12VDC 76AH [GEL]   | 2,00     |
| 0058 | 994201    | BATTERY, GEL, 12VDC 105AH [GEL]  | 2,00     |

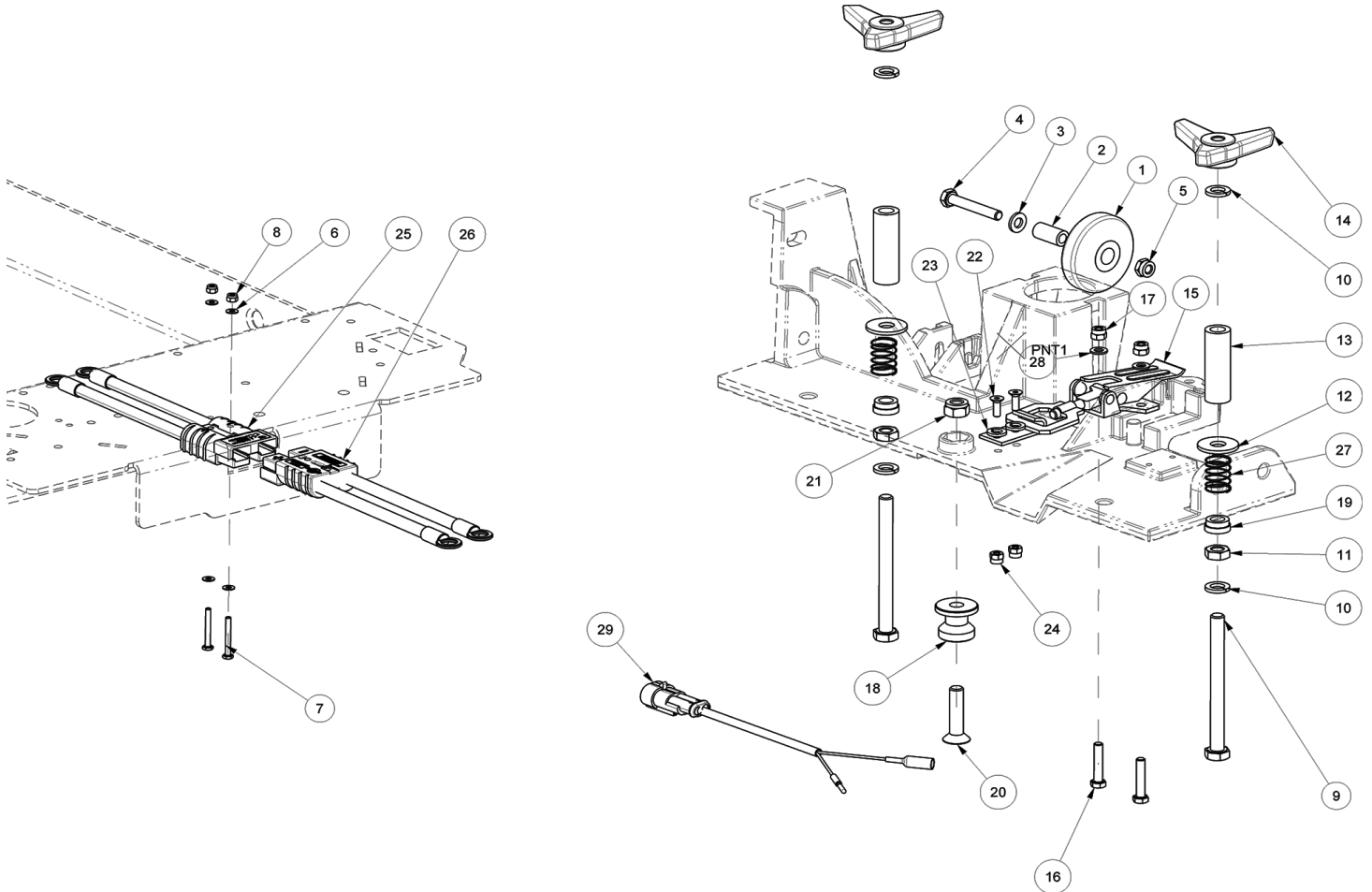
# ELECTRICAL COMPONENT GROUP [PROPEL MODEL]



## ELECTRICAL COMPONENT GROUP [PROPEL MODEL]

| Ref. | Part NO.  | Description                      | Quantity |
|------|-----------|----------------------------------|----------|
| 0001 | MPVR13039 | BOARD RAL7024                    | 1,00     |
| 0002 | MPVR06528 | SUPPORT -                        | 1,00     |
| 0003 | MPVR07177 | SUPPORT -                        | 1,00     |
| 0004 | MPVR06526 | LEVER DIRECTION                  | 1,00     |
| 0005 | MPVR13040 | CAP RAL7024                      | 1,00     |
| 0006 | MPVR13041 | BOARD RAL7024                    | 1,00     |
| 0007 | MPVR13038 | SMALL KNOB BLACK                 | 1,00     |
| 0008 | MECE00804 | BOARD KEY READER                 | 1,00     |
| 0009 | MECI00587 | SELECTOR DIALER SWITCH           | 1,00     |
| 0010 | LAFN10998 | BUSHING -                        | 4,00     |
| 0011 | MPVR11640 | COVERING CT51                    | 1,00     |
| 0012 | 897120    | WASHER, D.8X24, UNI6593, INOX    | 4,00     |
| 0013 | VTVT01427 | SCREW STS KN1038 8x25 - T40 A2   | 4,00     |
| 0014 | MPVR11198 | SPACER CT51/71                   | 1,00     |
| 0015 | 897140    | SCREW, M4X8, TCB, TC, UNI8112    | 4,00     |
| 0016 | VTRS00291 | WASHER, FLAT, 5 X 20             | 2,00     |
| 0017 | MECI00588 | MICROSWITCH                      | 2,00     |
| 0018 | VTRS00581 | WASHER D.2                       | 4,00     |
| 0019 | VTVT01592 | SCREW TC 2X12                    | 4,00     |
| 0020 | VTDD00213 | NUT M2                           | 4,00     |
| 0021 | MECB02058 | WIRING CONNECTION REED           | 1,00     |
| 0022 | 897574    | SCREW SELF TAPPING 4.8X9.5 SUS   | 5,00     |
| 0023 | MECE00810 | BOARD DISPLAY                    | 1,00     |
| 0024 | MEVR02389 | POTENTIOMETER WIG-WAG 45° CT51   | 1,00     |
| 0025 | 897180    | SCREW, M4X10, TCB, TC, INOX      | 2,00     |
| 0026 | 897669    | SCREW STS KN1031-Neu 4x16 - H2   | 8,00     |
| 0027 | MPVR10772 | GASKET                           | 1,00     |
| 0028 | 897204    | WASHER D. 4 GROVER A2 UNI1751    | 2,00     |
| 0029 | 897207    | BATTERY SUPPORT CT LINE          | 1,00     |
| 0030 | 897298    | PLUG M CB50 A 600V RD.           | 1,00     |
| 0031 | 897166    | WASHER, D. 5, INOX               | 4,00     |
| 0032 | 897205    | WIRING BATTERY BRIDGE W/TERMINAL | 1,00     |
| 0033 | VTVT01440 | SCREW                            | 4,00     |
| 0034 | MEVR02642 | KEY COMPLETE WITH RFID           | 2,00     |
| 0035 | MECE00786 | BOARD TRACTION COMPLETE          | 1,00     |
| 0036 | MECB01919 | WIRING MAIN HARNESS              | 1,00     |
| 0037 | LAFN11075 | BRACKET -                        | 1,00     |
| 0038 | 897156    | WASHER D. 4 INX                  | 4,00     |
| 0039 | 897208    | CONTACTOR 100A                   | 1,00     |
| 0040 | 9018497   | BOLT, STRAP, SQGE                | 2,00     |
| 0041 | MECI00626 | SENSOR SQUEEGEE POSIT.           | 1,00     |
| 0042 | MEVR02381 | MAGNET SQUEEGEE LEVER            | 1,00     |
| 0043 | VTVT17357 | SCREW TSP-TC 3.9X16 UNI6955      | 1,00     |
| 0044 | MPVR13037 | COVER RAL7024                    | 1,00     |
| 0045 | VTRS00017 | WASHER STEEL INOX 4X12           | 2,00     |
| 0046 | VTVT00021 | SCREW TE UNI 5739 3X25 ZB        | 2,00     |
| 0047 | VTVT00522 | SCREW TCB-TC 2.9X 9.5 UNI6954    | 1,00     |
| 0048 | 9018496   | NUT M 3 AUTOBL.DIN 985 IX.A2     | 4,00     |
| 0049 | VTVT01072 | SCREW STS KN1038 5x16 - T20 A2   | 4,00     |
| 0050 | MPVR10701 | RUBBER KEY HOLD                  | 1,00     |
| 0051 | VTVT48694 | SCREW TCB TC 5 X12 UNI 9707 TZ   | 2,00     |
| 0052 | 897514    | CARD, SD                         | 1,00     |
| 0053 | MECB01981 | WIRING BRIDGE CT51 W/O CHARGER   | 1,00     |
| 0054 | MPVR11496 | CORD, KEY                        | 1,00     |
| 0055 | MECB02017 | WIRING                           | 1,00     |
| 0056 | VTDD01693 | NUT, M5, INOX                    | 8,00     |
| 0057 | VTRS00570 | WASHER -                         | 5,00     |
| 0058 | VTVT01669 | SCREW M4x6 UNI5739 znt cl.4.8    | 2,00     |
| 0059 | MEVR02907 | FUSE-HOLDER -                    | 1,00     |
| 0060 | MEVR00604 | FUSE                             | 1,00     |
| 0061 | 994200    | BATTERY, GEL, 12VDC 76AH [GEL]   | 2,00     |
| 0061 | 994201    | BATTERY, GEL, 12VDC 105AH [GEL]  | 2,00     |

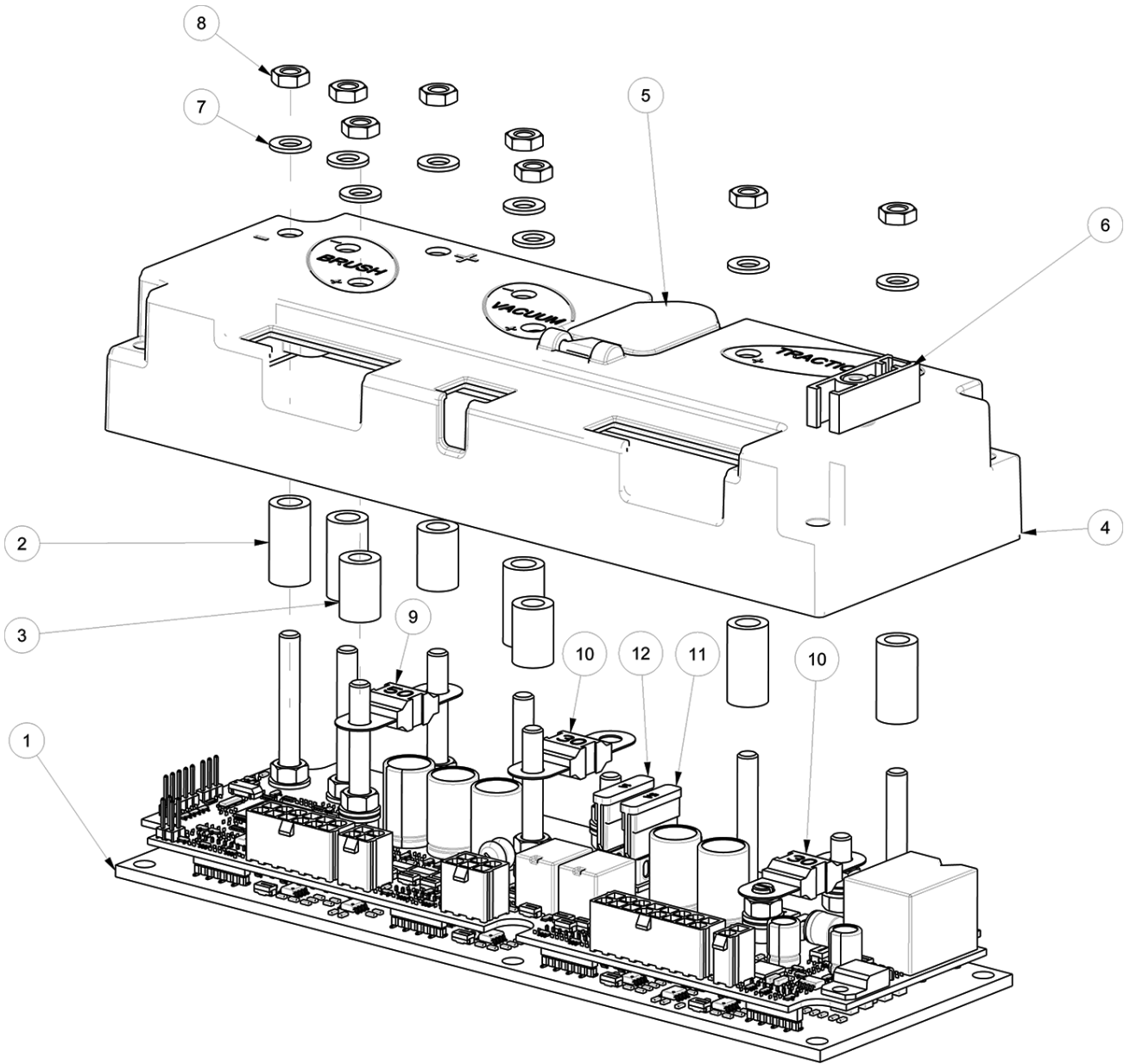
# WHEEL FRAME GROUP [PROPEL MODEL]



| Ref. | Part No.  | Description                      | Quantity |
|------|-----------|----------------------------------|----------|
| 0001 | RTRT00576 | WHEEL D.50X17 - HOLE 10.5        | 1,00     |
| 0002 | MPVR06501 | SPACER                           | 1,00     |
| 0003 | 897106    | WASHER D.6 UNI 6592 INOX         | 1,00     |
| 0004 | VTVT15145 | SCREW TE 6X40 UNI5739 INX        | 1,00     |
| 0005 | 897138    | NUT M6 INOX                      | 1,00     |
| 0006 | 897193    | WASHER, D. 3, INOX               | 4,00     |
| 0007 | VTVT00021 | SCREW TE UNI 5739 3X25 ZB        | 2,00     |
| 0008 | 9018496   | NUT M 3 AUTOBL.DIN 985 IX.A2     | 2,00     |
| 0009 | VTVT01321 | SCREW TE 8X90 UNI5739            | 2,00     |
| 0010 | 897216    | WASHER, D. 8, GRW, UNI1751, INOX | 4,00     |
| 0011 | VTDD00057 | NUT UNI 5589 M8 BASSO ZB         | 2,00     |
| 0012 | 897120    | WASHER, D.8X24, UNI6593, INOX    | 2,00     |
| 0013 | LAFN11002 | SPACER -                         | 2,00     |
| 0014 | MPVR04164 | YELLOW KNOB                      | 2,00     |
| 0015 | LAFN09418 | HOOK BRUSH HEAD CT51             | 1,00     |
| 0016 | VTVT00766 | SCREW TE M. 5-25                 | 2,00     |
| 0017 | VTDD15517 | NUT M 5 INX                      | 2,00     |
| 0018 | LAFN09419 | PIN -                            | 1,00     |
| 0019 | LAFN11089 | SPACER -                         | 2,00     |
| 0020 | VTVT00427 | SCREW TSPEI 8X35 UNI5933 INX     | 1,00     |
| 0021 | VTDD01701 | NUT M8                           | 1,00     |
| 0022 | VTVT00474 | SCREW TSCE uni 5933 4x12 ZB      | 2,00     |
| 0023 | 897129    | WASHER D. 6 INX GRW UNI 1751     | 2,00     |
| 0024 | 897160    | NUT, M4, INOX, ZN                | 2,00     |
| 0025 | MECB01947 | WIRING BOARD BRUSH HEAD CT51-71  | 1,00     |
| 0026 | MECB01946 | WIRING BRUSH HEAD MOTORS CT51-71 | 1,00     |
| 0027 | MLML00348 | SPRING -                         | 2,00     |
| 0028 | 897166    | WASHER, D. 5, INOX               | 2,00     |
| 0029 | MECB02024 | WIRING BRUSH MOTOR THERMAL CON.  | 1,00     |

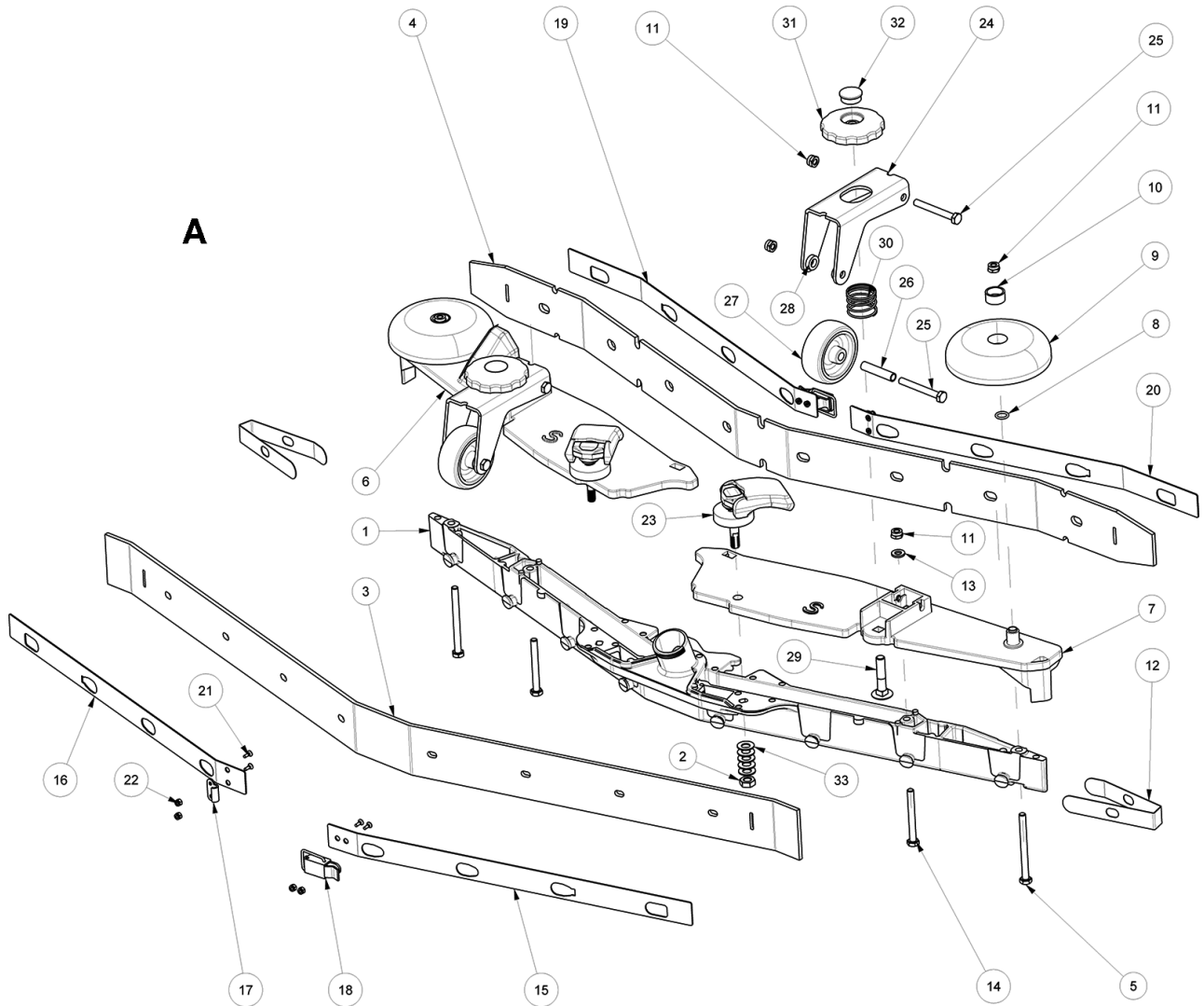


# CONTROL BOARD, MECE00786 [PROPEL MODEL]



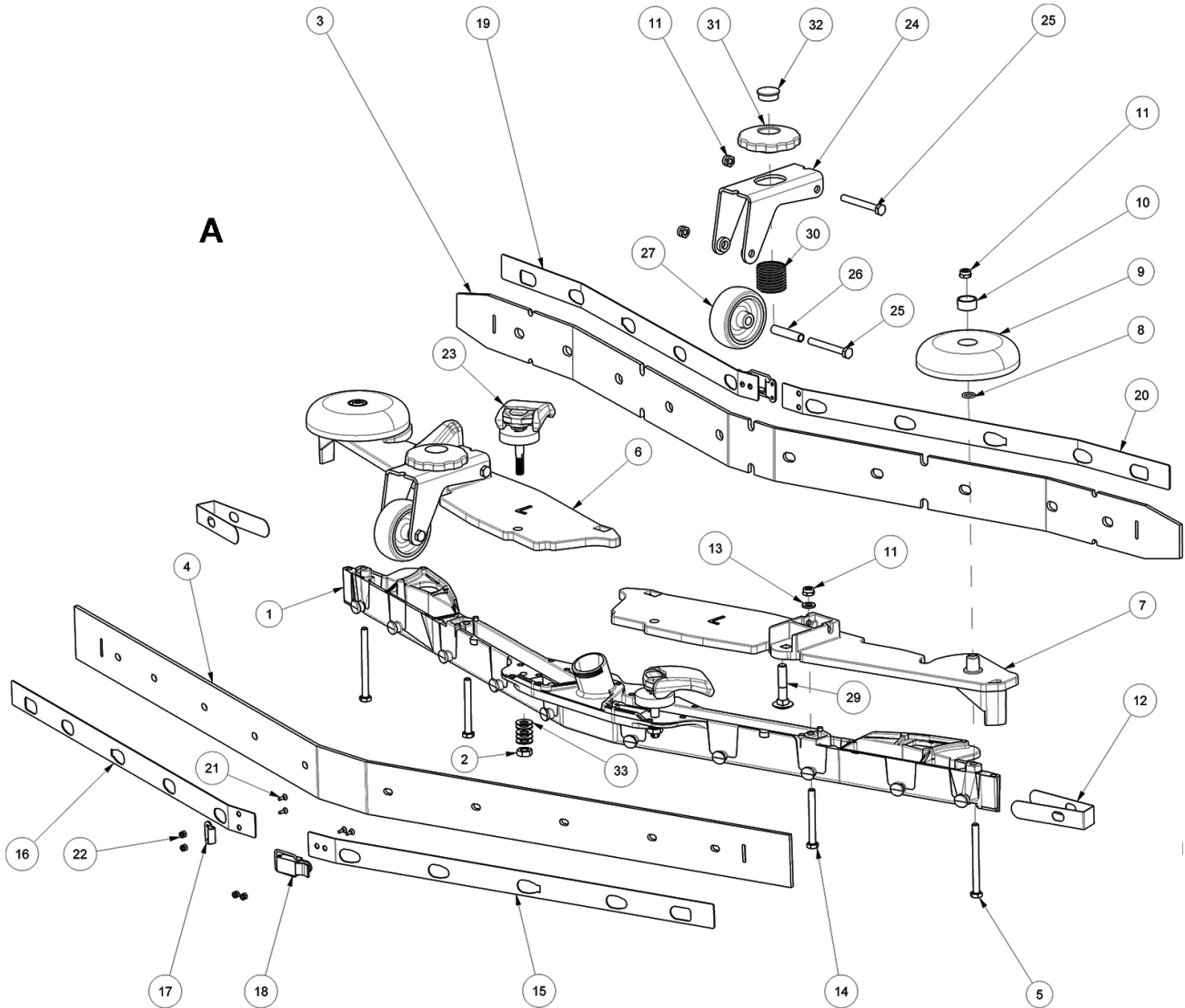
| Ref. | Part No.  | Description               | Quantity |
|------|-----------|---------------------------|----------|
| 0001 | MECE00812 | BOARD TRACTION RULLI      | 1,00     |
| 0002 | MPVR06501 | SPACER                    | 5,00     |
| 0003 | LAFN01298 | SPACER PLASTIC 10X5,5X15  | 3,00     |
| 0004 | MPVR11447 | COVERING ELECTRONIC BOARD | 1,00     |
| 0005 | MPVR11448 | COVER PLASTIC FUSE BOX    | 1,00     |
| 0006 | MEVR01153 | FUSE EXTRACTOR            | 1,00     |
| 0007 | 897166    | WASHER, D. 5, INOX        | 8,00     |
| 0008 | VTDD00209 | NUT M5 LOW UNI5589        | 8,00     |
| 0009 | 9018332   | FUSE, 50A                 | 1,00     |
| 0010 | 897301    | FUSE 30A OMEGA FT3030     | 2,00     |
| 0011 | 9017817   | FUSE, 005A                | 1,00     |
| 0012 | MEVR00563 | FUSE 1A                   | 1,00     |

# SQUEEGEE GROUP [55CM & 60CM MODEL]



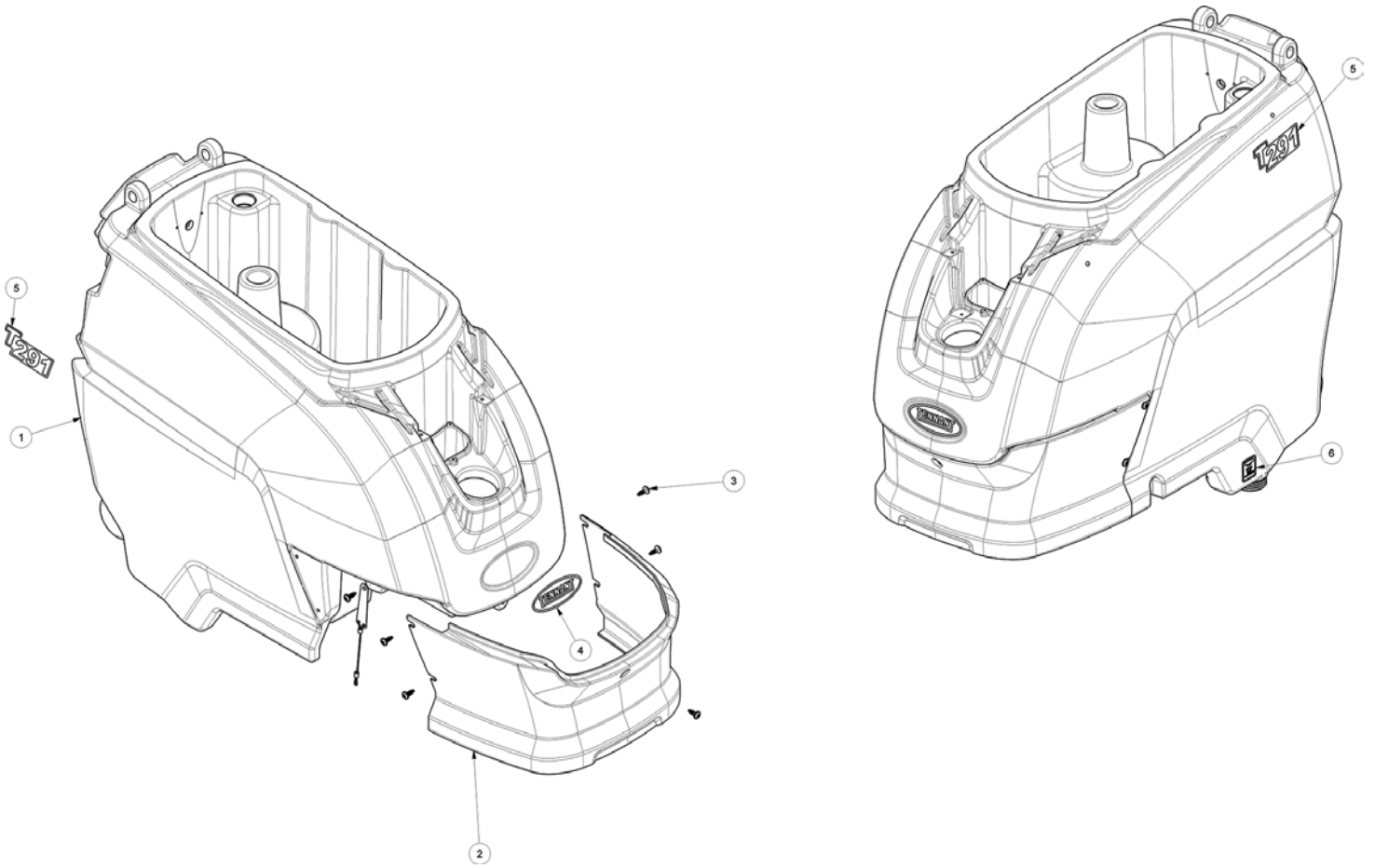
| Ref. | Part No.  | Description                                  | Quantity |
|------|-----------|--|----------|
| A    | PMVR06825 | SQUEEGEE ASSEMBLY [T291/T391 55-60CM]        | 1,00     |
| 0001 | MFVR00319 | FRAME SQUEEGEE S-SIZE                        | 1,00     |
| 0002 | VTDD00530 | NUT M8 UNI 5589                              | 2,00     |
| 0003 | 9017702   | BLADE, SQGE, REAR, 900L, LINATEX (STANDARD)  | 1,00     |
| 0004 | 9017699   | BLADE, SQGE, FRONT, 880L, LINATEX (STANDARD) | 1,00     |
| 0003 | 9017694   | BLADE, SQGE, REAR, 900L, LATEX (OPTION)      | 1,00     |
| 0004 | 9017695   | BLADE, SQGE, FRONT, 880L, LATEX (OPTION)     | 1,00     |
| 0003 | 9017698   | BLADE, SQGE, REAR, 900L, PYU (OPTION)        | 1,00     |
| 0004 | 9017696   | BLADE, SQGE, FRONT, 880L, PYU (OPTION)       | 1,00     |
| 0005 | VTVT00699 | SCREW TE M. 6-70                             | 2,00     |
| 0006 | MPVR06491 | PLATE -                                      | 1,00     |
| 0007 | MPVR06492 | PLATE -                                      | 1,00     |
| 0008 | 897102    | O-RING, 13.00 Od X 10.00 Id                  | 2,00     |
| 0009 | 897101    | WHEEL, BMPR, 98,5d X 21,5W                   | 2,00     |
| 0010 | 897100    | SLEEVE, NYLON, 0,314b 0,72d 0,35l            | 2,00     |
| 0011 | 897138    | NUT M6 INOX                                  | 8,00     |
| 0012 | 897116    | CLOSURE S                                    | 2,00     |
| 0013 | 897106    | WASHER D.6 UNI 6592 INOX                     | 2,00     |
| 0014 | 897422    | SCREW, TE, M.6X55                            | 2,00     |
| 0015 | 9018493   | STRAP, SQGE                                  | 1,00     |
| 0016 | 9018494   | STRAP, SQGE                                  | 1,00     |
| 0017 | 9018495   | HOOK, STRAP, SQGE                            | 2,00     |
| 0018 | 9018492   | LATCH, STRAP, SQGE                           | 2,00     |
| 0019 | 897561    | STRAP, SQGE, S, REAR, RH                     | 1,00     |
| 0020 | 897110    | BLADE HOLDER S SIZE ANT. RIGHT               | 1,00     |
| 0021 | 9018497   | BOLT, STRAP, SQGE                            | 8,00     |
| 0022 | 9018496   | NUT M 3 AUTOBL.DIN 985 IX.A2                 | 8,00     |
| 0023 | PMVR06995 | HOOKING SQUEEGEE CT51-71                     | 2,00     |
| 0024 | LAFN09471 | SUPPORT CASTOR WHEEL NEW                     | 2,00     |
| 0025 | 897115    | SCREW, M6X55, SS                             | 4,00     |
| 0026 | LAFN07534 | SPACER 6x8 h37,5                             | 2,00     |
| 0027 | 9018501   | WHEEL, 59,2D 22W 8,4B, GRAY                  | 2,00     |
| 0028 | VTRS00383 | WASHER -                                     | 4,00     |
| 0029 | VTVT01304 | SCREW 8X 40                                  | 2,00     |
| 0030 | MLML00473 | SPRING -                                     | 2,00     |
| 0031 | MPVR06478 | SMALL KNOB WHEEL ADJUSTMENT                  | 2,00     |
| 0032 | MPVR06479 | CAP POMELLO                                  | 2,00     |
| 0033 | MLML00493 | DISC SPRINGS 16x8,2x0,9 DIN 2093             | 10,00    |

# SQUEEGEE GROUP [70CM MODEL]



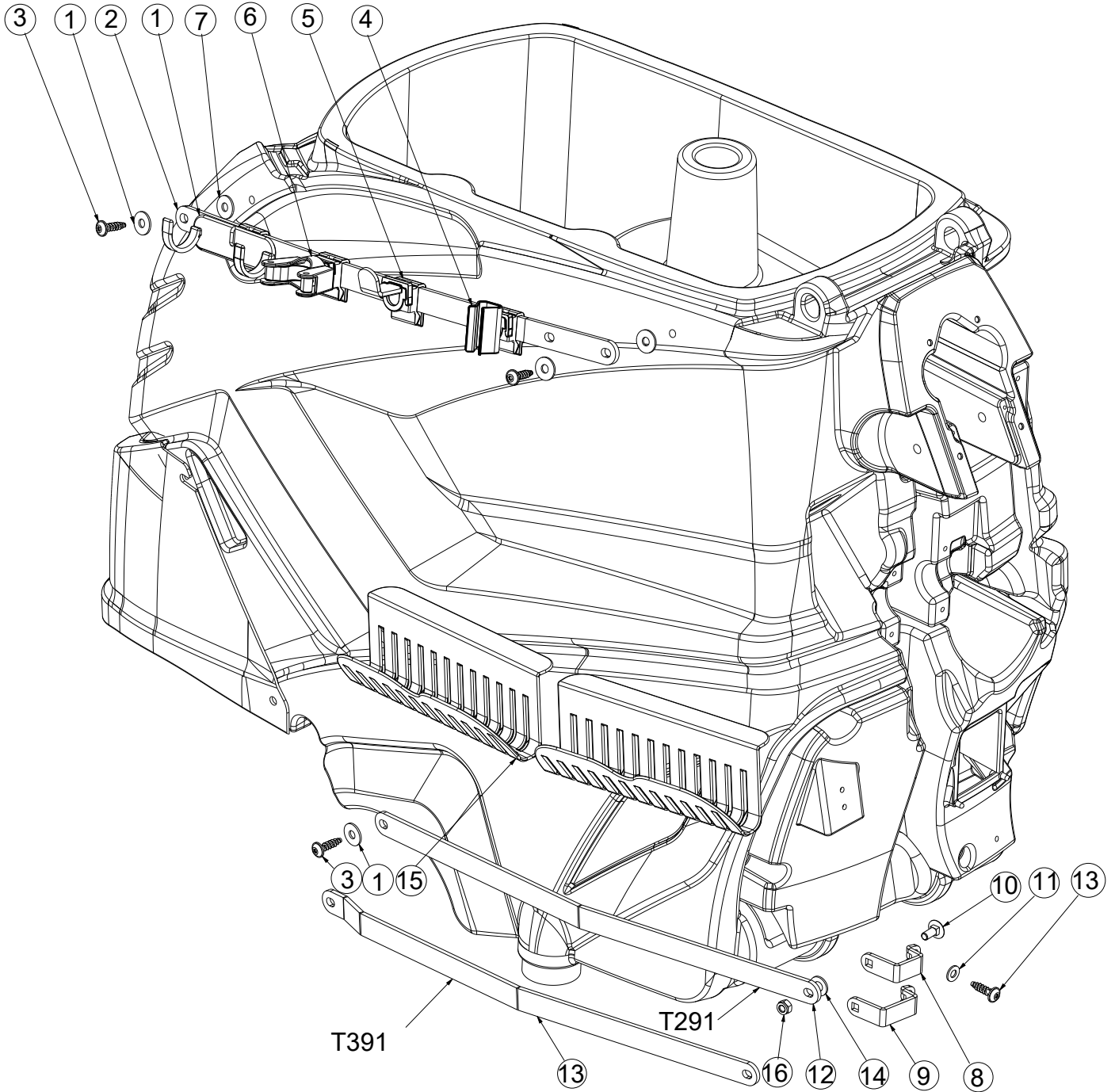
| Ref. | Part No.  | Description                                   | Quantity |
|------|-----------|---|----------|
| A    | PMVR06826 | SQUEEGEE ASSY [T291/T391 70CM]                | 1,00     |
| 0001 | MFVR00318 | BODY -  | 1,00     |
| 0002 | VTDD00530 | NUT M8 UNI 5589                               | 2,00     |
| 0003 | 9017813   | BLADE, SQGE, FRONT, 1020L, LINATEX (STANDARD) | 1,00     |
| 0004 | 9017814   | BLADE, SQGE, REAR, 1020L, LINATEX (STANDARD)  | 1,00     |
| 0003 | 9017801   | BLADE, SQGE, FRONT, 1020L, LATEX              | 1,00     |
| 0004 | 9017804   | BLADE, SQGE, REAR, 1020L, LATEX               | 1,00     |
| 0003 | 9017806   | BLADE, SQGE, FRONT, 1020L, PYU                | 1,00     |
| 0004 | 9017811   | BLADE, SQGE, REAR, 1020L, PYU                 | 1,00     |
| 0005 | VTVT00699 | SCREW TE M. 6-70                              | 2,00     |
| 0006 | MPVR06493 | PLATE PROTECTION SQUEEGEE L LH                | 1,00     |
| 0007 | MPVR06494 | PLATE PROTECTION SQUEEGEE L RH                | 1,00     |
| 0008 | 897102    | O-RING, 13.00 Od X 10.00 Id                   | 2,00     |
| 0009 | 897101    | WHEEL, BMPR, 98,5d X 21,5W                    | 2,00     |
| 0010 | 897100    | SLEEVE, NYLON, 0,314b 0,72d 0,35l             | 2,00     |
| 0011 | 897138    | NUT M6 INOX                                   | 8,00     |
| 0012 | 897307    | CLOSURE L                                     | 2,00     |
| 0013 | 897106    | WASHER D.6 UNI 6592 INOX                      | 2,00     |
| 0014 | 897422    | SCREW, TE, M.6X55                             | 2,00     |
| 0015 | 897654    | STRAP, SQGE, L, REAR, LH                      | 1,00     |
| 0016 | 897654    | STRAP, SQGE, L, REAR, LH                      | 1,00     |
| 0017 | 9018495   | HOOK, STRAP, SQGE                             | 2,00     |
| 0018 | 9018492   | LATCH, STRAP, SQGE                            | 2,00     |
| 0019 | 897620    | STRAP, SQGE, L, FRONT, LH                     | 1,00     |
| 0020 | 897613    | STRAP, SQGE, L, FRONT, RH                     | 1,00     |
| 0021 | 9018497   | BOLT, STRAP, SQGE                             | 8,00     |
| 0022 | 9018496   | NUT M 3 AUTOBL.DIN 985 IX.A2                  | 8,00     |
| 0023 | PMVR06995 | HOOKING SQUEEGEE CT51-71                      | 2,00     |
| 0024 | LAFN09471 | SUPPORT CASTOR WHEEL NEW                      | 2,00     |
| 0025 | 897115    | SCREW, M6X55, SS                              | 4,00     |
| 0026 | LAFN07534 | SPACER 6x8 h37,5                              | 2,00     |
| 0027 | 9018501   | WHEEL, 59,2D 22W 8,4B, GRAY                   | 2,00     |
| 0028 | VTRS00383 | WASHER -                                      | 4,00     |
| 0029 | VTVT01304 | SCREW 8X 40                                   | 2,00     |
| 0030 | MLML00473 | SPRING -                                      | 2,00     |
| 0031 | MPVR06478 | SMALL KNOB WHEEL ADJUSTMENT                   | 2,00     |
| 0032 | MPVR06479 | CAP POMELLO                                   | 2,00     |
| 0033 | MLML00493 | DISC SPRINGS 16x8,2x0,9 DIN 2093              | 10,00    |

# TANK GROUP



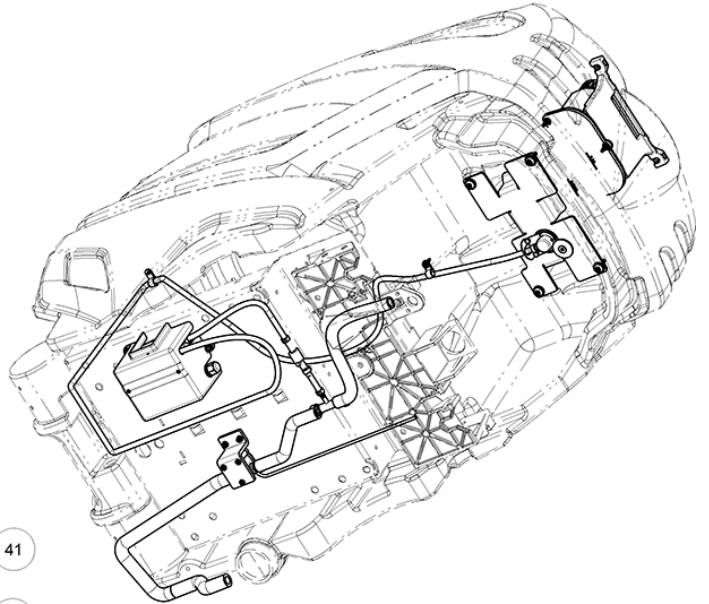
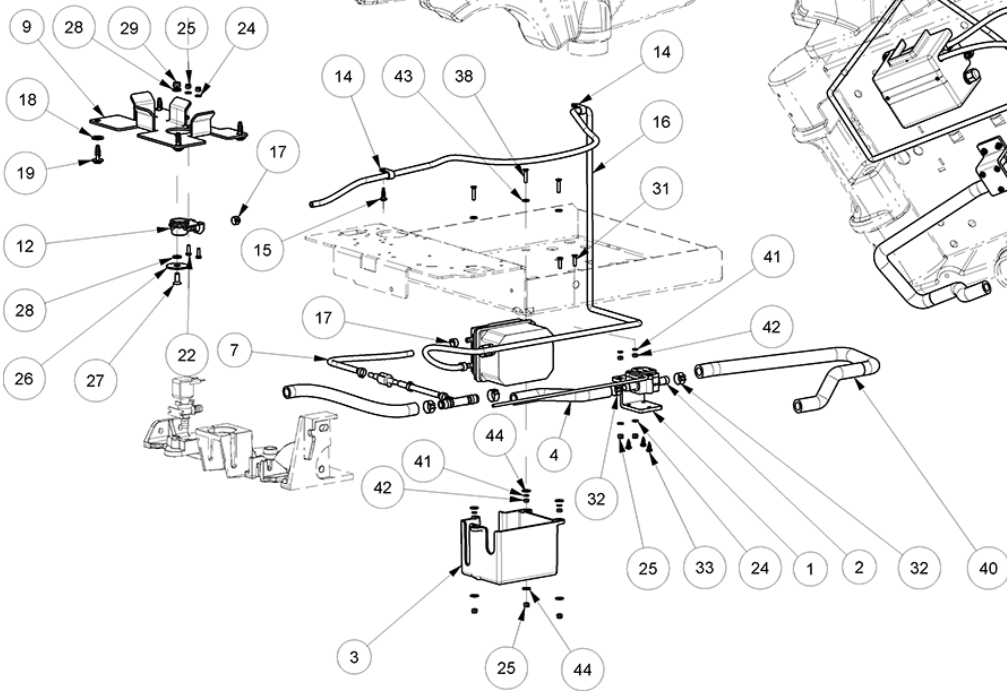
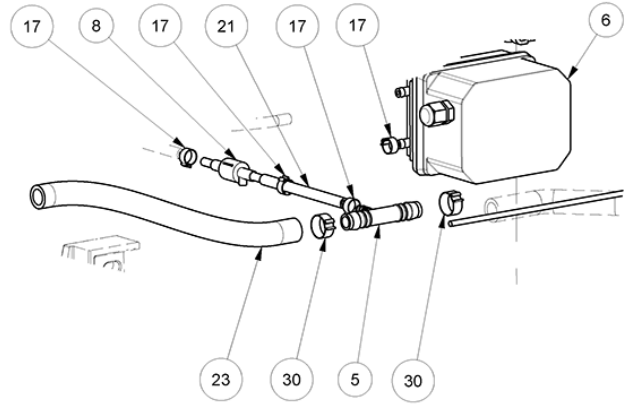
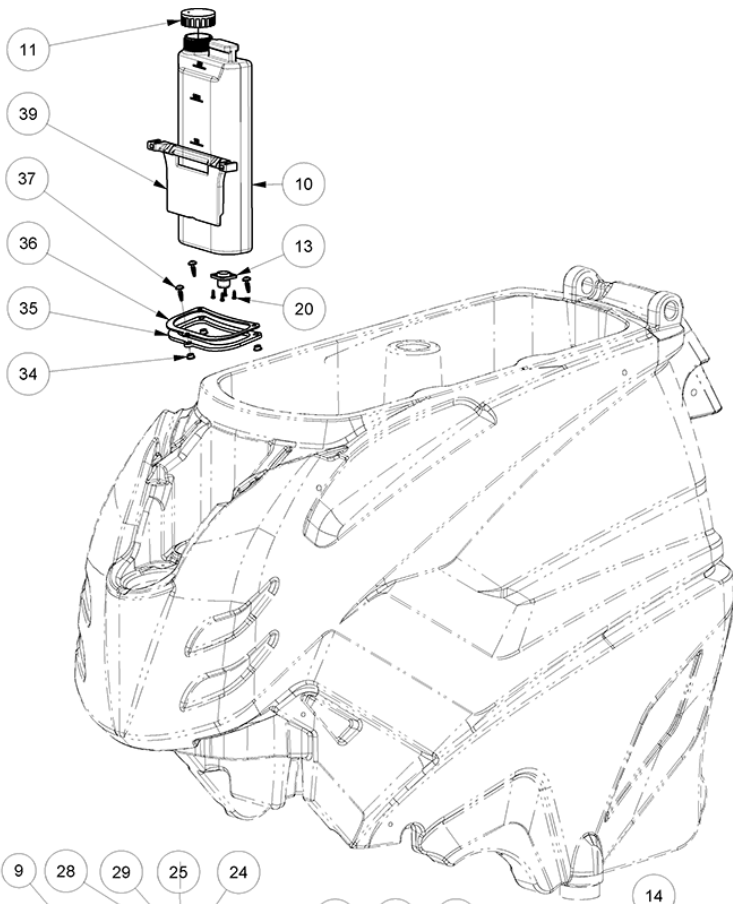
| Ref. | Part No.  | Description                    | Quantity |
|------|-----------|--------------------------------|----------|
| 0001 | MPVR12965 | TANK [T291]                    | 1,00     |
| 0002 | MPVR12966 | COVERING [T291/T391]           | 1,00     |
| 0003 | VTVT01430 | SCREW STS KN1038 8x22 - T40 A2 | 4,00     |
|      | KTRI06377 | LABEL, KIT (includes 4, 5, 6)  | 1,00     |
| 0004 | NA        | LABEL TENNANT                  | 1,00     |
| 0005 | NA        | LABEL T291                     | 2,00     |
| 0006 | NA        | LABEL FILTER T291-T391         | 1,00     |

TOOLS BAR KIT KTRI04848 [OPTION]



| Ref. | Part No.  | Description                             | Quantity |
|------|-----------|---|----------|
|      | KTRI04848 | TOOL BAR KIT [T291/T391]                | 1,00     |
| 0001 | 897120    | WASHER D. 8 X24 INOX UNI 6593 FLAT      | 5,00     |
| 0002 | LAFN11122 | UPPER BAR TOOLS                         | 1,00     |
| 0003 | VTVT01429 | SCREW 8x30 - T40 A2                     | 4,00     |
| 0004 | PMVR95637 | COMPLETE HAND HOLDER                    | 2,00     |
| 0005 | PMVR06997 | BRUSH HOLDER                            | 2,00     |
| 0006 | PMVR01545 | P. HANDLE RUBBER TOOLFLEX + BRACKET     | 2,00     |
| 0007 | PMVR95639 | HOLDER COMPLETE                         | 2,00     |
| 0008 | LAFN11124 | FIXING BRACKET TOOLS T291               | 1,00     |
| 0009 | LAFN11200 | FIXING BRACKET TOOLS T391               | 1,00     |
| 0010 | 897217    | SCREW M8-20 INOX UNI 5731               | 1,00     |
| 0011 | 897152    | WASHER D. 8 INOX UNI 6592 FLAT          | 1,00     |
| 0012 | LAFN11123 | LOWER BAR TOOLS T291                    | 1,00     |
| 0013 | LAFN11199 | LOWER BAR TOOLS T391                    | 1,00     |
| 0014 | 897432    | WASHER D.10 X21 INOX UNI 6592           | 1,00     |
| 0015 | MPVR94835 | BASE BRAID                              | 2,00     |
| 0016 | VTDD01701 | NUT M8 AUTOBLOC. LOW DIN985 INOX + ZIN. | 1,00     |

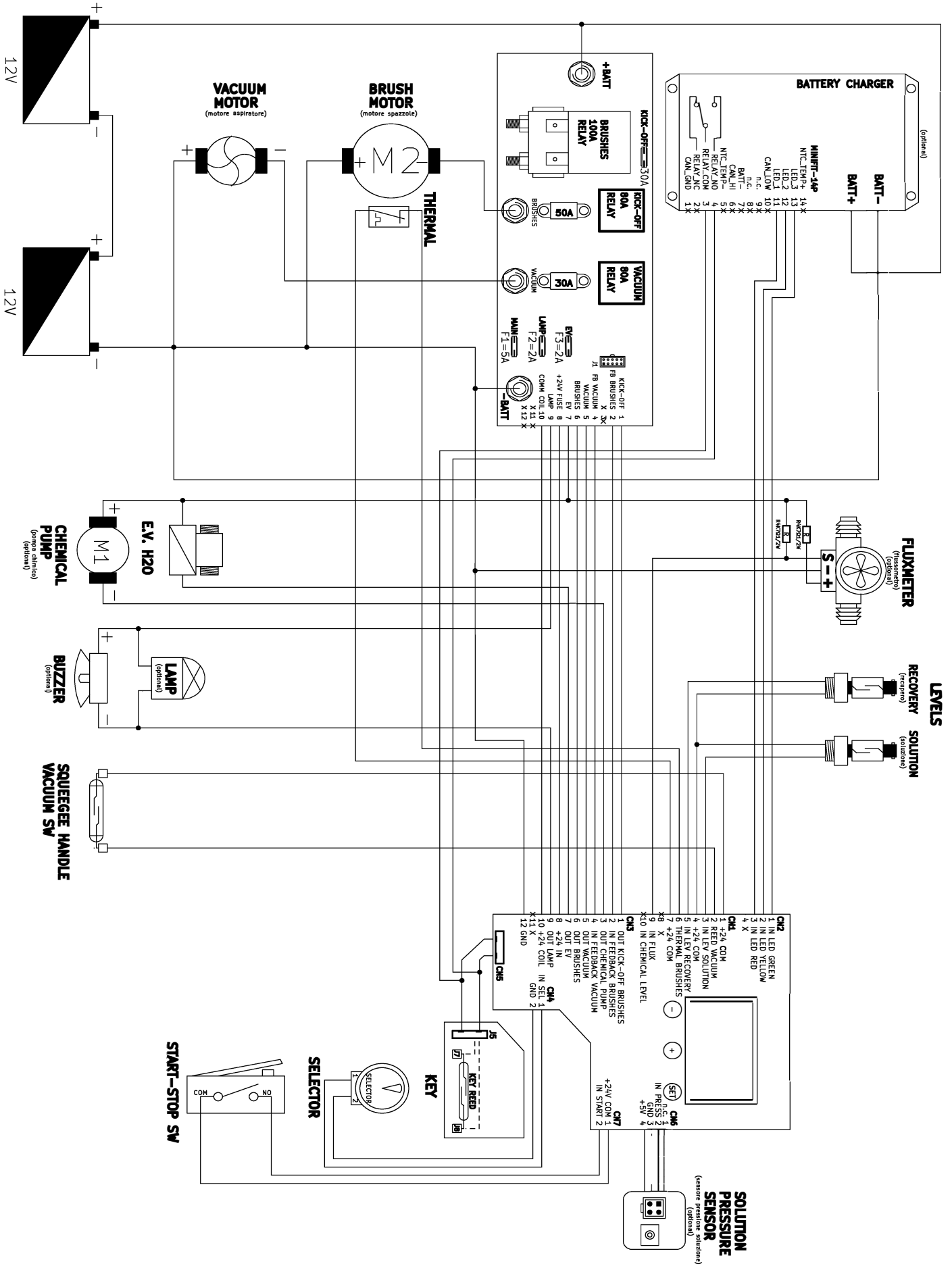
# CHEM DOSE KIT - KTRI06373 [OPTION]



# CHEM DOSE KIT - KTRI06373 [OPTION]

| Ref. | Part No.  | Description                              | Quantity |
|------|-----------|--|----------|
|      | KTRI06373 | KIT, CHEM DOSE [T291/T391]               | 1,00     |
| 0001 | LAFN11278 | BRACKET FLOWMETERS                       | 1,00     |
| 0002 | MEVR02922 | FLOWMETERS                               | 1,00     |
| 0003 | MPVR06508 | BOX -                                    | 1,00     |
| 0004 | 897256    | HOSE FLEX D.12X3 ARMORV.PVC TR           | 0,18     |
| 0005 | RCVR00745 | CONNECTOR TRS 12-6-12                    | 1,00     |
| 0006 | PPBP00123 | PUMP -                                   | 1,00     |
| 0007 | TBBP00003 | TUBE CRISTALLO 6X9                       | 0,10     |
| 0008 | RCGR00079 | VALVE -                                  | 1,00     |
| 0009 | LAFN11088 | BRACKET -                                | 1,00     |
| 0010 | KTRI05275 | KIT CHEM DOSE TANK (Includes 11, 13, 20) | 1,00     |
| 0011 | MPVR40756 | TANK CAP KSM C/F.                        | 1,00     |
| 0012 | VVSF00031 | VALVE -                                  | 1,00     |
| 0013 | VVSF00031 | VALVE -                                  | 1,00     |
| 0014 | MPVR02933 | DUCT LOCK D.9,5                          | 2,00     |
| 0015 | VTVT01072 | SCREW STS KN1038 5x16 - T20 A2           | 1,00     |
| 0016 | TBBP00003 | TUBE CRISTALLO 6X9                       | 1,60     |
| 0017 | FSVR00087 | CLAMP A COLLARE                          | 5,00     |
| 0018 | VTRS13947 | WASHER D. 8 INX UNI 6592                 | 4,00     |
| 0019 | VTVT01430 | SCREW STS KN1038 8x22 - T40 A2           | 4,00     |
| 0020 | VTVT00820 | SCREW TC+ M.3,5-10                       | 4,00     |
| 0021 | TBBP00003 | TUBE CRISTALLO 6X9                       | 0,75     |
| 0022 | VTVT00817 | SCREW TE M4x12 UNI 5739 INOX             | 2,00     |
| 0023 | 897256    | HOSE FLEX D.12X3 ARMORV.PVC TR           | 0,23     |
| 0024 | 897156    | WASHER D. 4 INX                          | 4,00     |
| 0025 | 897276    | NUT M 4 ATB A2                           | 4,00     |
| 0026 | 897375    | WASHER D. 8 X32 UNI 6593 INX             | 1,00     |
| 0027 | VTVT00832 | SCREW TSPEI M6X16 INOX                   | 4,00     |
| 0028 | 897106    | WASHER D.6 UNI 6592 INOX                 | 5,00     |
| 0029 | 897138    | NUT M6 INOX                              | 4,00     |
| 0030 | 897257    | CLAMP                                    | 2,00     |
| 0031 | 897502    | SCREW M 4X 16 TSPEI UNI 5933             | 2,00     |
| 0032 | FSVR00258 | CLAMP -                                  | 2,00     |
| 0033 | VTVT48694 | SCREW TCB TC 5 X12 UNI 9707 TZ           | 3,00     |
| 0034 | LAFN11180 | SPACER CHEM DOSE                         | 3,00     |
| 0035 | GUGO00586 | GASKET CHEM DOSE                         | 1,00     |
| 0036 | LAFN11121 | FLANGE                                   | 1,00     |
| 0037 | VTVT01591 | SCREW STS KN1038 6x20 - T25 A2           | 3,00     |
| 0038 | VTVT00877 | SCREW TSPEI M 4X20 INX UNI5933           | 3,00     |
| 0039 | MPVR13210 | SUPPORT CHEM DOSE COVER, TEAL            | 1,00     |
| 0040 | 897256    | HOSE FLEX D.12X3 ARMORV.PVC TR           | 0,60     |
| 0041 | 897204    | WASHER D. 4 GROVER A2 UNI1751            | 5,00     |
| 0042 | VTDD00147 | NUT M 4 INX U.5588                       | 5,00     |
| 0043 | 897166    | WASHER D. 5 INX                          | 3,00     |
| 0044 | VTRS00017 | WASHER STEEL INOX 4X12                   | 6,00     |

# ELECTRICAL DIAGRAM [T291 PAD ASSIST MODEL]





# ELECTRICAL DIAGRAM [T291 PROPEL MODEL]

