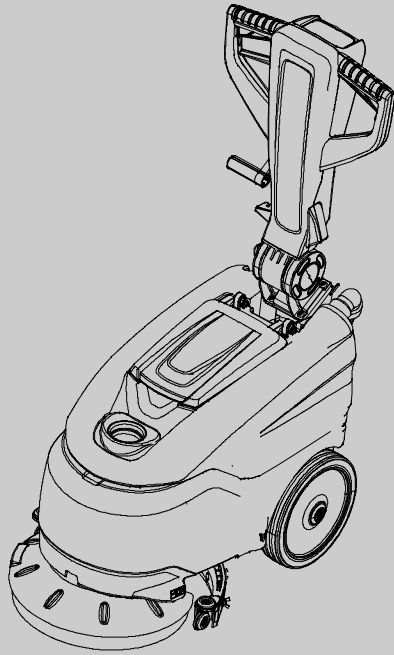




CS16

Corded Micro-Scrubber

Parts Manual



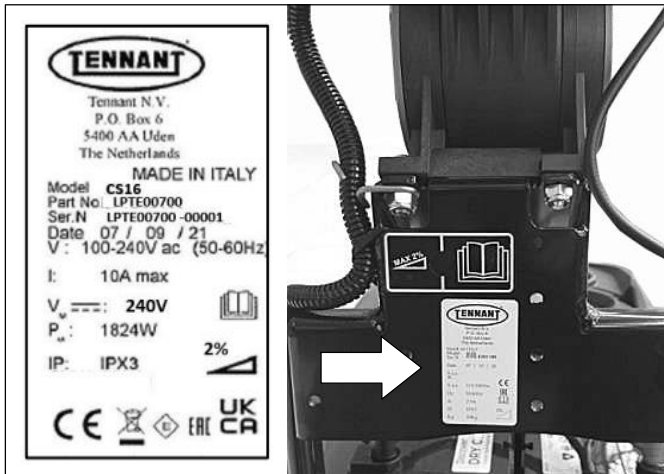
Model Part No.:
LPTE00699 - SCRUBBER [CS16 35CM BR, CORDED, EU]
LPTE00700 - SCRUBBER [CS16 35CM BR, CORDED, UK]

9021982
Rev. 00 (02-2022)

Only use TENNANT Company supplied or equivalent parts. Parts and supplies may be ordered online, by phone or from any Tennant Authorized Service Center or Distributor.

Before Ordering any parts or supplies, be sure to have the machine model number and serial number available.

Serial Number Location



Walo Hygiëne en Reinigingssystemen B.V.

(+31) 187-605374
welkom@walo.nl
www.walo.nl

RECOMMENDED SPARE PARTS LIST 4

BRUSHES / PAD DRIVER AND PADS 5

TANK GROUP 6

HANDLE AND FRAME GROUP 8

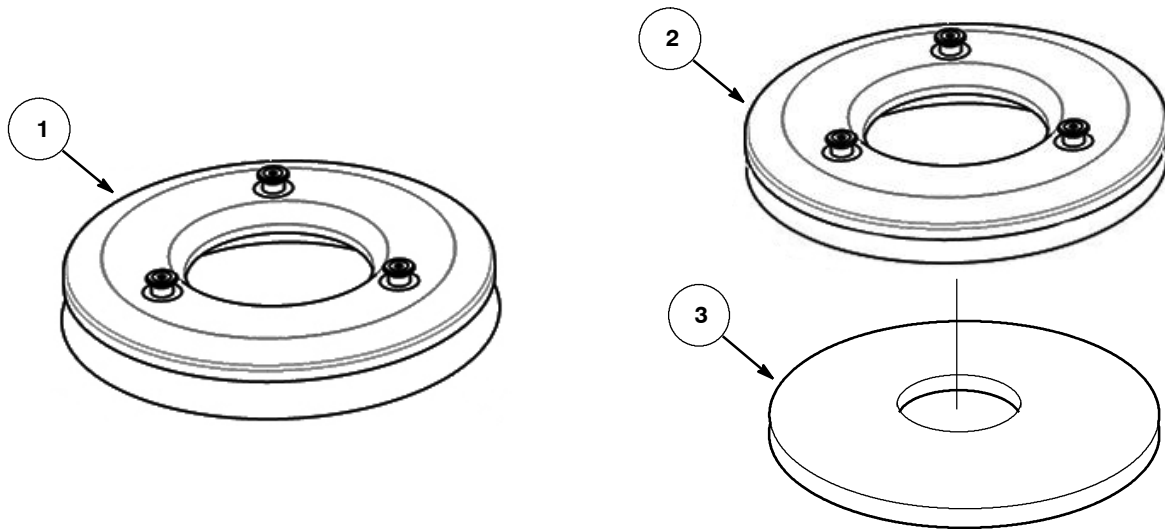
SQUEEGEE ASSEMBLY AND BRUSH DRIVE GROUP 10

ELECTRICAL DIAGRAM 12

RECOMMENDED SPARE PARTS LIST

WEAR PARTS	
PART NO.	DESCRIPTION
SPPV02656	BRUSH ASSY, DISK, SCB, 35CM, 3-LUG,PYP [STANDARD]
SPPV02657	BRUSH ASSY,DISK,SCB,35CM,3-LUG, PYP,SOFT [OPTIONAL]
SPPV02659	BRUSH ASSY, DISK,ABR, 35CM,3-LUG,120 GRIT [OPTIONAL]
SPPV02664	DRIVER ASSY, PAD, 35CM, 3-LUG
994518	PAD, BUFF, 14.0/355, RED [5PC] STANDARD
994519	PAD, SCB, 14.0INCH /355SSPV02659, BLU [5PC]
994520	PAD, STRIPPING, 14.0/355, BROWN [5PC]
994754	PAD, POLISH, 14.0/355, WHITE [5PC]
9017829	BLADE, SQGE, FRONT, 536L, LINATEX [STANDARD]
9017830	BLADE, SQGE, REAR, 596L, LINATEX [STANDARD]
9017826	BLADE, SQGE, FRONT, 536L, LATEX [OPTIONAL]
9017827	BLADE, SQGE, REAR, 596L, LATEX [OPTIONAL]
9017832	BLADE KIT, SQGE, 536L/596L, FRONT& REAR ,PYU [OPTIONAL]
SERVICE PARTS	
PART NO.	DESCRIPTION
PMVR06994	SQUEEGEE ASSY KIT, LINATEX BLADES [STANDARD]
KTRI05575	LID ASSEMBLY, RECOVERY TANK
9017840	SEAL, COVER, RECVY TANK
9017842	HOSE ASSY, RECVY
9017844	FLOAT, SHUTOFF
9017846	CABLE, LIFT, SQGE
9017845	HOSE ASSY, DRAIN
9017848	WHEEL, SQGE
9017849	SPRING, SQGE
9017850	CLIP, HOSE, RECV
9017689	SWITCH, HANDLE
9018511	FILTER, WATER, COMPL
9018339	MOTOR, VACUUM 240V
9018340	VALVE, WATER, SOLENOID, 230V
MOMO01020	MOTOR, BRUSH, 240V
9018342	CIRCUITBOARD
9017750	DISPLAY BOARD
9017749	CARBON BRUSH KIT, BRUSH, MOTOR 240V [4 PC]
MEVR01938	CARBON BRUSH, MOTOR, VAC FAN 240V
MEVR02544	FUSE 8A
MEVR02545	FUSE 1,6A
MEVR04379	FUSE 3,15A

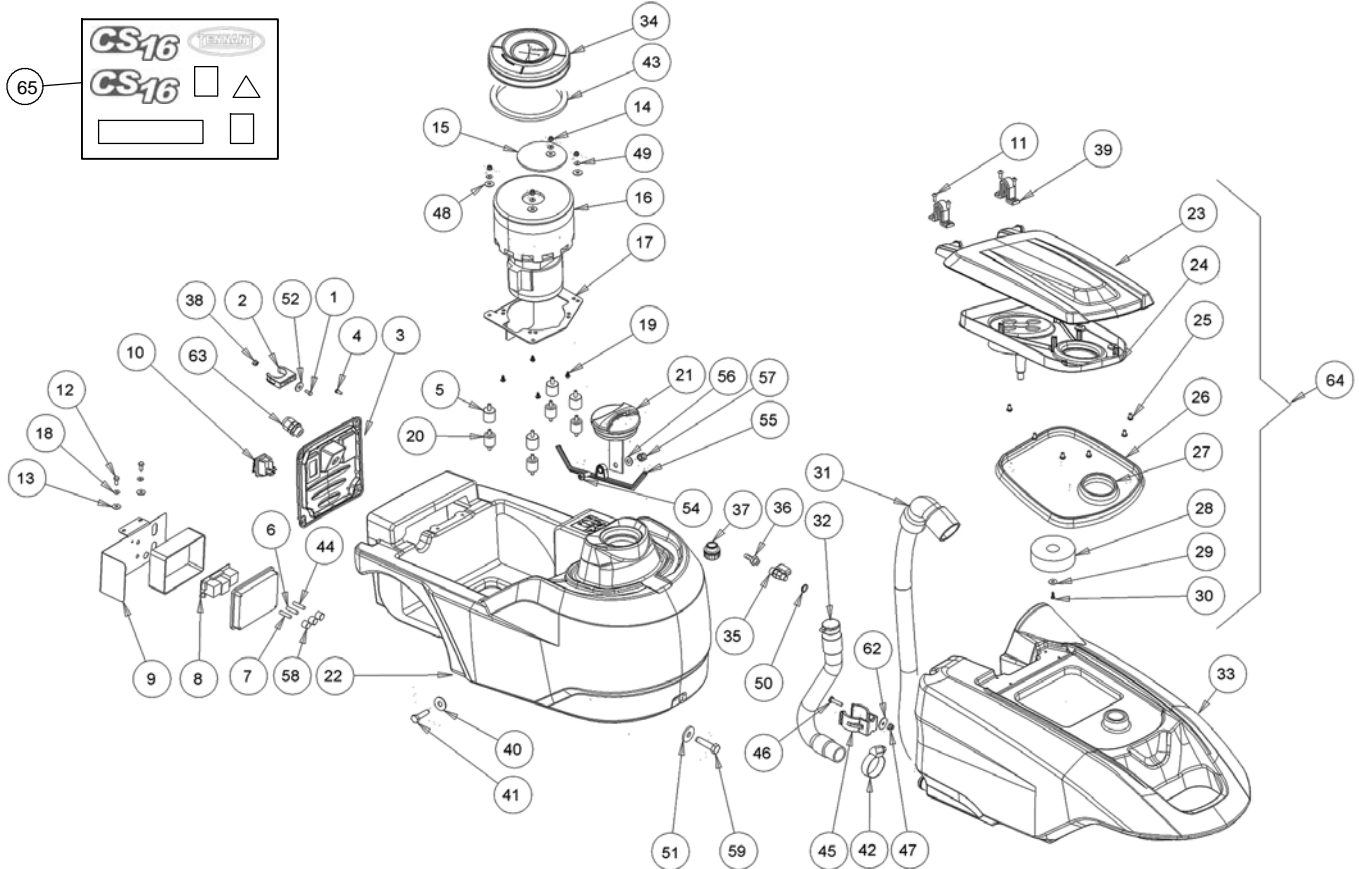
BRUSHES / PAD DRIVER AND PADS



Ref.	Part No.	Serial Number	Description	Qty.
1	SPPV02656	(LPTE00xxx- 00001 -)	BRUSH ASSY, DISK, SCB, 35CM, 3-LUG,PYP [STANDARD]	1
1	SPPV02657	(LPTE00xxx- 00001 -)	BRUSH ASSY,DISK,SCB,35CM,3-LUG, PYP,SOFT[OPTION]	1
1	SPPV02659	(LPTE00xxx- 00001 -)	BRUSH ASSY, DISK,ABR, 35CM,3-LUG,120 GRIT [OPTION]	1
2	SPPV02664	(LPTE00xxx- 00001 -)	DRIVER ASSY, PAD, 35CM, 3-LUG	1
3	994518	(LPTE00xxx- 00001 -)	PAD, BUFF, 14.0/355, RED [5PC] STANDARD	1
3	994519	(LPTE00xxx- 00001 -)	PAD, SCB, 14.0INCH /355, BLU [5PC]	1
3	994520	(LPTE00xxx- 00001 -)	PAD, STRIPPING, 14.0/355, BROWN [5PC]	1
3	994754	(LPTE00xxx- 00001 -)	PAD, POLISH, 14.0/355, WHITE [5PC]	1

PARTS LIST

TANK GROUP



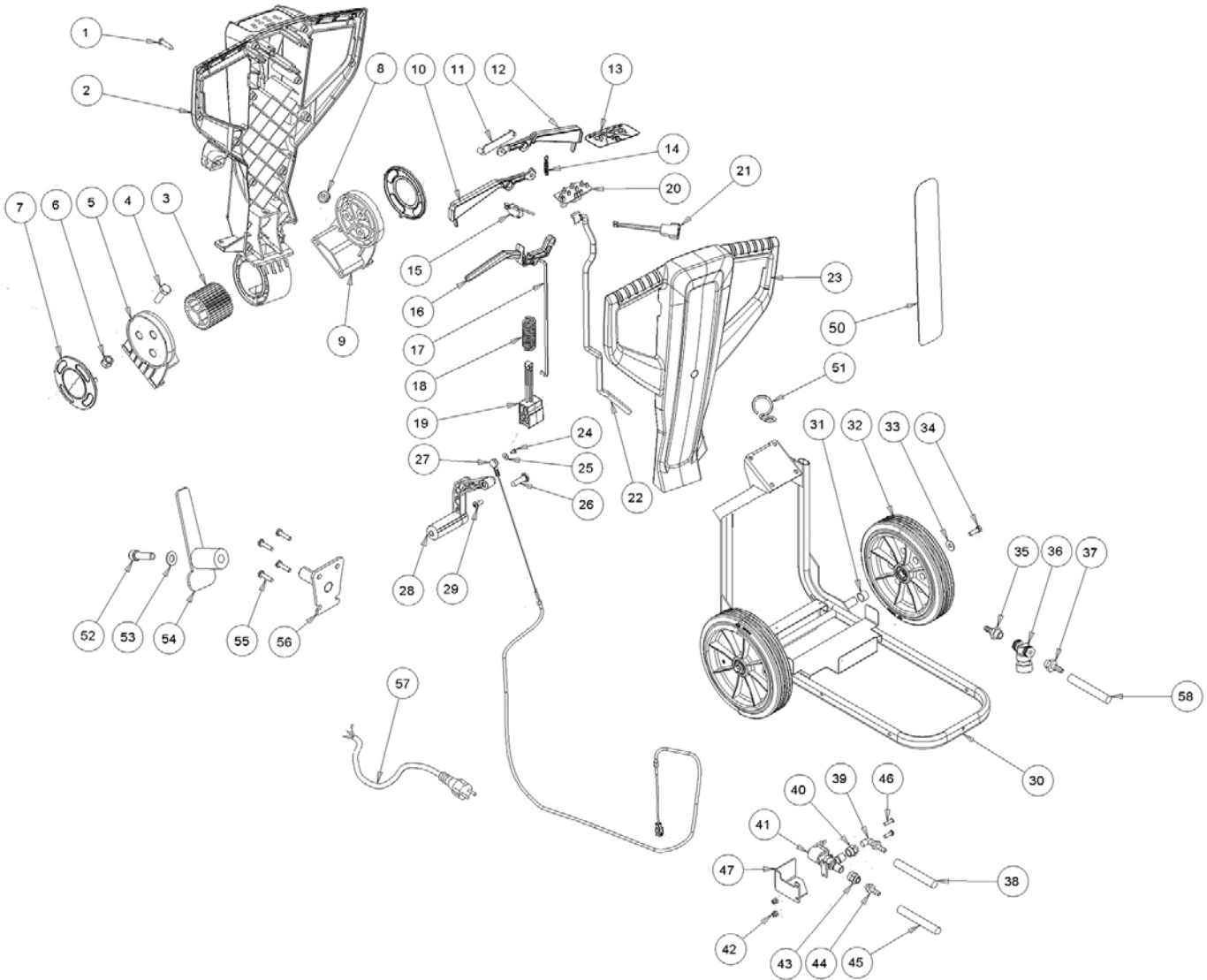
Ref.	Part No.	Serial Number	Description	Qty.
1	897359	(LPTE00xxx- 00001 -)	SCREW, TCTC, M4X16, ACCIAIO, INOX	1
2	897245	(LPTE00xxx- 00001 -)	CLIP	1
3	MPVR12446	(LPTE00xxx- 00001 -)	COVER CS16 UL	1
4	897559	(LPTE00xxx- 00001 -)	SCREW TBCE ISO 7380 5X12	4
5	LAFN08967	(LPTE00xxx- 00001 -)	SPACER CT15- 30	4
6	MEVR02545	(LPTE00xxx- 00001 -)	FUSE 5X20 T 1,6A VDE CSA UL	1
7	MEVR02544	(LPTE00xxx- 00001 -)	FUSE F 8A VDE CSA UL	1
8	9018342	(LPTE00xxx- 00001 -)	CIRCUITBOARD, MAIN 230V	1
9	LAFN11427	(LPTE00xxx- 00001 -)	BRACKET CT15 UL	1
10	MECI00720	(LPTE00xxx- 00001 -)	SWITCH B4	1
11	897669	(LPTE00xxx- 00001 -)	SCREW STS KN1031- Neu 4x16 - H2	4
12	VTVT48694	(LPTE00xxx- 00001 -)	SCREW TCB TC 5 X12 UNI 9707 TZ	2
13	897384	(LPTE00xxx- 00001 -)	WASHER D. 5X14 INX	2
14	897497	(LPTE00xxx- 00001 -)	NUT, M5, INOX	4
15	897649	(LPTE00xxx- 00001 -)	FILTER, MOTOR, VACFAN, d78	1
16	9018339	(LPTE00xxx- 00001 -)	FAN, VACUUM, 240VAC	1
16	MEVR01938	(LPTE00xxx- 00001 -)	CARBON BRUSH, MOTOR, VAC FAN 240V	1
17	LAFN08062	(LPTE00xxx- 00001 -)	AXLE .	1
18	897662	(LPTE00xxx- 00001 -)	WASHER D. 5 GRW	2
19	VTVT48694	(LPTE00xxx- 00001 -)	SCREW TCB TC 5 X12 UNI 9707 TZ	4
20	897569	(LPTE00xxx- 00001 -)	VIBRATION, DAMP	4
21	897570	(LPTE00xxx- 00001 -)	TANK, SOLUTION, CAP	1
22	897663	(LPTE00xxx- 00001 -)	TANK, SOLUTION	1
23	897664	(LPTE00xxx- 00001 -)	COVER	1
24	897665	(LPTE00xxx- 00001 -)	COVER, INNER, LID, TANK	1
25	897574	(LPTE00xxx- 00001 -)	SCREW SELF TAPPING 4.8X9.5 SUS	8
26	9017840	(LPTE00xxx- 00001 -)	SEAL, COVER, RECVY TANK	1
27	897666	(LPTE00xxx- 00001 -)	GASKET	1
28	9017844	(LPTE00xxx- 00001 -)	FLOAT, SHUTOFF	1
29	897576	(LPTE00xxx- 00001 -)	WASHER, M30X6X3	1

TANK GROUP

Ref.	Part No.	Serial Number	Description	Qty.
30	VTVT48694	(LPTE00xxx- 00001 -)	SCREW TCB TC 5 X12 UNI 9707 TZ	1
31	9017842	(LPTE00xxx- 00001 -)	HOSE ASSY, RECVY	1
32	9017845	(LPTE00xxx- 00001 -)	HOSE ASSY, DRAIN	1
33	MPVR12899	(LPTE00xxx- 00001 -)	TANK RECOVERY 416S BLUE	1
34	GUGO00599	(LPTE00xxx- 00001 -)	GASKET	1
35	897578	(LPTE00xxx- 00001 -)	VALVE, A SFERA, MF, 1/8"	1
36	897678	(LPTE00xxx- 00001 -)	CONNECTOR, 1/8" D.7	1
37	897176	(LPTE00xxx- 00001 -)	CAP 1/2"	1
38	897160	(LPTE00xxx- 00001 -)	NUT, M4, INOX, ZN	1
39	897668	(LPTE00xxx- 00001 -)	HINGE [416S]	2
40	897384	(LPTE00xxx- 00001 -)	WASHER D. 5X14 INX	3
41	897588	(LPTE00xxx- 00001 -)	SCREW, TE, M5X35, UNI5739	3
42	FSVR00002	(LPTE00xxx- 00001 -)	CLAMP ECOFLEX 9 23- 35	1
43	FSVR00264	(LPTE00xxx- 00001 -)	CLAMP	1
44	MEVR04015	(LPTE00xxx- 00001 -)	FUSE 5x20 3.15A T	1
45	9017850	(LPTE00xxx- 00001 -)	CLIP, HOSE, RECVY	1
46	897581	(LPTE00xxx- 00001 -)	SCREW	2
47	VTDD04369	(LPTE00xxx- 00001 -)	NUT M 4 TEF UNI 7473	2
48	897384	(LPTE00xxx- 00001 -)	WASHER D. 5X14 INX	4
49	897644	(LPTE00xxx- 00001 -)	WASHER D. 5 INX GRW UNI 1751	4
50	897590	(LPTE00xxx- 00001 -)	O- RING, D. 6.75X1.78, NBR, 70SH	1
51	897384	(LPTE00xxx- 00001 -)	WASHER D. 5X14 INX	1
52	897149	(LPTE00xxx- 00001 -)	WASHER 4- 16 INOX A2	1
54	VTVT15965	(LPTE00xxx- 00001 -)	SCREW, TCB- TC, M4X12, UNI7687, INX	1
55	897587	(LPTE00xxx- 00001 -)	PLATE	1
56	897156	(LPTE00xxx- 00001 -)	WASHER D. 4 INX	1
57	897276	(LPTE00xxx- 00001 -)	NUT M 4 ATB A2	1
58	MEVR02589	(LPTE00xxx- 00001 -)	FUSE- HOLDER 5X20 FIZ 0031- 2205	3
59	897588	(LPTE00xxx- 00001 -)	SCREW, TE, M5X35, UNI5739	1
62	897589	(LPTE00xxx- 00001 -)	WASHER, UNI6592, M4X16, ZB	2
63	MEVR00034	(LPTE00xxx- 00001 -)	FAIR- LEAD PG11 CON GHIERA	1
64	KTRI05575	(LPTE00xxx- 00001 -)	LID ASSY, RECOVERY TANK	1
65	KTRI06255	(LPTE00xxx- 00001 -)	LABEL KIT, CS16 MACHINE	1

PARTS LIST

HANDLE AND FRAME GROUP



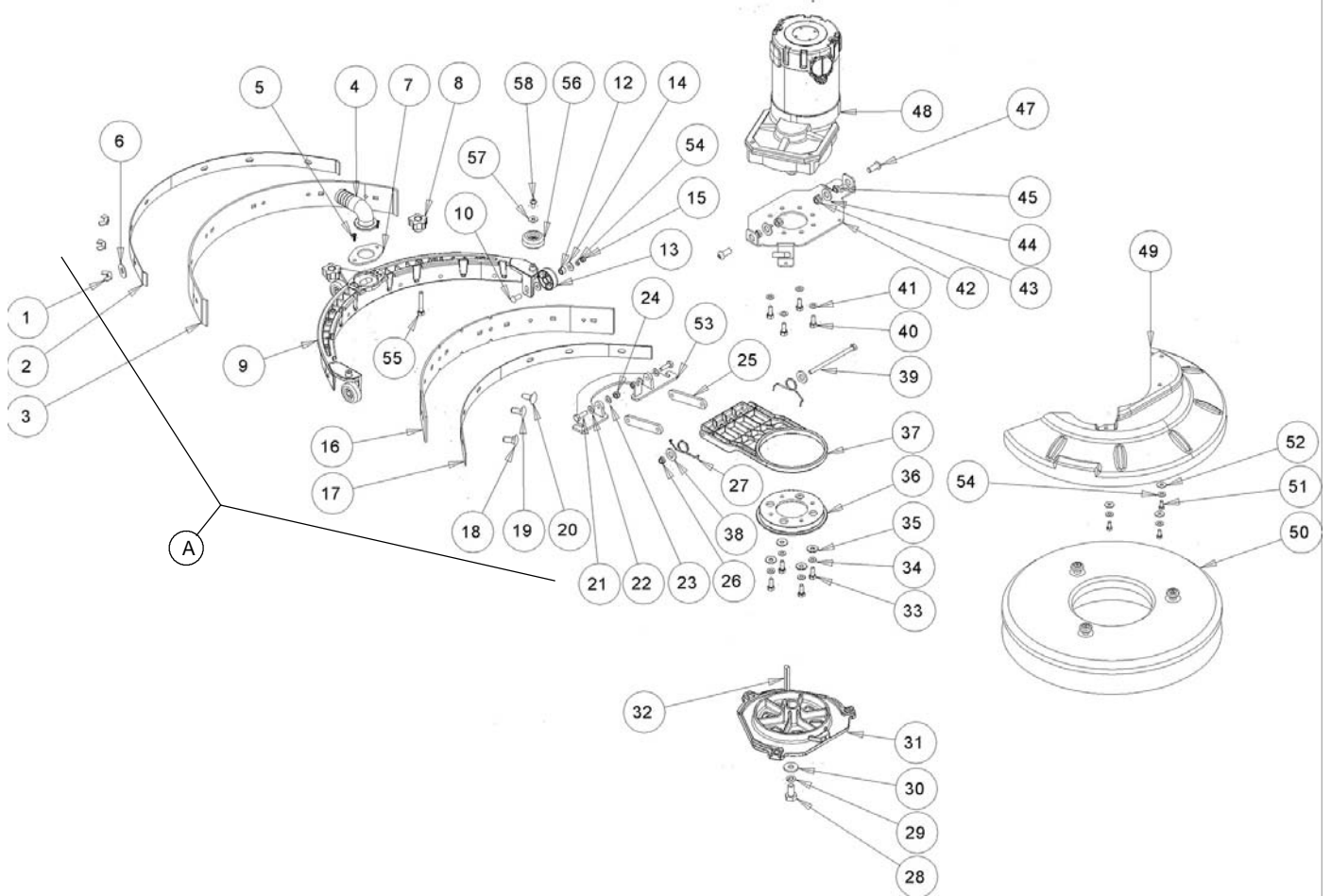
Ref.	Part No.	Serial Number	Description	Qty.
1	897593	(LPTE00xxx- 00001 -)	SCREW, M4,8X19	14
2	897670	(LPTE00xxx- 00001 -)	CRANKCASE	1
3	897595	(LPTE00xxx- 00001 -)	GEAR	1
4	VTVT75724	(LPTE00xxx- 00001 -)	SCREW, HEX, M8 X 1.25 X 22	4
5	897597	(LPTE00xxx- 00001 -)	SHELL, DX	1
6	897598	(LPTE00xxx- 00001 -)	NUT, M8, FLAT	4
7	897599	(LPTE00xxx- 00001 -)	COVER	2
8	897600	(LPTE00xxx- 00001 -)	FAIR, LEAD	1
9	897601	(LPTE00xxx- 00001 -)	SHELL, SX	1
10	897671	(LPTE00xxx- 00001 -)	LEVER, DX	1
11	897603	(LPTE00xxx- 00001 -)	CARD,SUPPORT, ELECTRONIC	1
12	897672	(LPTE00xxx- 00001 -)	LEVER, SX	1
13	N/A	(LPTE00xxx- 00001 -)	LABEL, DASHBOARD	1
14	897606	(LPTE00xxx- 00001 -)	SPRING	1
15	9017689	(LPTE00xxx- 00001 -)	SWITCH, HANDLE	1
16	897674	(LPTE00xxx- 00001 -)	LEVER, ADJUSTMENT	1
17	KTRI02273	(LPTE00xxx- 00001 -)	KIT HANDLE ADJUST ROD	1
18	897608	(LPTE00xxx- 00001 -)	SPRING	1

HANDLE AND FRAME GROUP

Ref.	Part No.	Serial Number	Description	Qty.
19	897609	(LPTE00xxx- 00001 -)	HANDLE, SUPPORT	1
20	9017750	(LPTE00xxx- 00001 -)	CIRCUITBOARD, DISPLAY	1
21	897611	(LPTE00xxx- 00001 -)	BOTTON, PUSH, WIRING	1
22	897612	(LPTE00xxx- 00001 -)	CABLE, RIBBON, FLAT	1
23	897675	(LPTE00xxx- 00001 -)	CRANKCASE, HANDLE, FRONT	1
24	897150	(LPTE00xxx- 00001 -)	SCREW, TC, M4X12, ZN	1
25	897149	(LPTE00xxx- 00001 -)	WASHER 4- 16 INOX A2	1
26	897614	(LPTE00xxx- 00001 -)	PIN	1
27	9017846	(LPTE00xxx- 00001 -)	CABLE, LIFT, SQGE	1
28	9017688	(LPTE00xxx- 00001 -)	LEVER, LIFT, SQGE	1
29	897615	(LPTE00xxx- 00001 -)	SCREW, TC, M6X12	1
30	897616	(LPTE00xxx- 00001 -)	FRAME	1
31	897617	(LPTE00xxx- 00001 -)	BUSHING	2
32	897618	(LPTE00xxx- 00001 -)	WHEEL, GRAY, D.250	2
33	897619	(LPTE00xxx- 00001 -)	WASHER, D.8X24, ZC	2
34	897676	(LPTE00xxx- 00001 -)	SCREW TE 8X16 UNI5739	2
35	897677	(LPTE00xxx- 00001 -)	CONNECTOR	1
36	9018511	(LPTE00xxx- 00001 -)	FILTER, WATER, COMPL	1
37	897677	(LPTE00xxx- 00001 -)	CONNECTOR	1
38	TBBP00732	(LPTE00xxx- 00001 -)	TUBE CRISTALLO 6X9 L=240 mm	1
39	897678	(LPTE00xxx- 00001 -)	CONNECTOR, 1/8" D.7	1
40	897679	(LPTE00xxx- 00001 -)	CONNECTOR	1
41	9018340	(LPTE00xxx- 00001 -)	VALVE, WATER, SOLENOID, 230V	1
42	897276	(LPTE00xxx- 00001 -)	NUT M 4 ATB A2	2
43	897679	(LPTE00xxx- 00001 -)	CONNECTOR	1
44	897678	(LPTE00xxx- 00001 -)	CONNECTOR, 1/8" D.7	1
45	TBBP00733	(LPTE00xxx- 00001 -)	TUBE CRISTALLO 6X9 L=445 mm	1
46	897359	(LPTE00xxx- 00001 -)	SCREW, TCTC, M4X16, ACCIAIO, INOX	2
47	897623	(LPTE00xxx- 00001 -)	SOLENOIDE, VALVE, PROTECTION	1
50	N/A	(LPTE00xxx- 00001 -)	LABEL, HANDLE, TEAL (order label kit KTRI06255)	1
51	897625	(LPTE00xxx- 00001 -)	HOOK	1
52	VTVT63035	(LPTE00xxx- 00001 -)	SCREW TCEI M8X25 BRUNITA	1
53	VTRS00230	(LPTE00xxx- 00001 -)	WASHER D. 8	1
54	MPVR34714	(LPTE00xxx- 00001 -)	CABLE SUPPORT E 350	1
55	VTVT48694	(LPTE00xxx- 00001 -)	SCREW TCB TC 5 X12 UNI 9707 TZ	4
56	LAFN09222	(LPTE00xxx- 00001 -)	BRACKET	1
57	MECB02114	(LPTE00xxx- 00001 -)	CABLE POWER, EU	1
57	MECB02289	(LPTE00xxx- 00001 -)	CABLE POWER, UK	1
58	TBBP00731	(LPTE00xxx- 00001 -)	TUBE CRISTALLO 6X9 L=335 mm	1

PARTS LIST

SQUEEGEE ASSEMBLY AND BRUSH DRIVE GROUP



Ref.	Part No.	Serial Number	Description	Qty.
A	PMVR06994	(LPTE00xxx- 00001 -)	SQUEEGEE ASSY KIT, LINATEX BLADES [STANDARD] (includes items 1-20, 54-58)	1
1	897626	(LPTE00xxx- 00001 -)	NUT, M5	6
2	897627	(LPTE00xxx- 00001 -)	BRACKET	1
3	9017830	(LPTE00xxx- 00001 -)	BLADE, SQGE, REAR, 596L, LINATEX [STANDARD]	1
3	9017827	(LPTE00xxx- 00001 -)	BLADE, SQGE, REAR, 596L, LATEX [OPTION]	1
3	9017832	(LPTE00xxx- 00001 -)	BLADE KIT, SQGE, REAR & FRONT, PYU [OPTION]	1
4	897628	(LPTE00xxx- 00001 -)	FITTING, CONNECTOR, ELBOW	1
5	VTVT48694	(LPTE00xxx- 00001 -)	SCREW TCB TC 5 X12 UNI 9707 TZ	2
6	897384	(LPTE00xxx- 00001 -)	WASHER D. 5X14 INX	6
7	897629	(LPTE00xxx- 00001 -)	FLANGE	1
8	897630	(LPTE00xxx- 00001 -)	KNOB, SMALL	2
9	897631	(LPTE00xxx- 00001 -)	FLOOR, WIPER, YELLOW, RAL1021	1
10	897632	(LPTE00xxx- 00001 -)	SCREW, M5X20	3
12	897633	(LPTE00xxx- 00001 -)	BUSHING	3
13	9017848	(LPTE00xxx- 00001 -)	WHEEL, SQGE	3
14	897384	(LPTE00xxx- 00001 -)	WASHER D. 5X14 INX	6
15	897497	(LPTE00xxx- 00001 -)	NUT, M5, INOX	3
16	9017829	(LPTE00xxx- 00001 -)	BLADE, SQGE, FRONT, 536L, LINATEX [STANDARD]	1
16	9017826	(LPTE00xxx- 00001 -)	BLADE, SQGE, FRONT, 536L, LATEX [OPTION]	1
16	9017832	(LPTE00xxx- 00001 -)	BLADE KIT, SQGE, REAR & FRONT, PYU [OPTION]	1
17	897634	(LPTE00xxx- 00001 -)	BRACKET	1
18	897635	(LPTE00xxx- 00001 -)	SCREW M5x25	2

SQUEEGEE ASSEMBLY AND BRUSH DRIVE GROUP

Ref.	Part No.	Serial Number	Description	Qty.
19	897681	(LPTE00xxx- 00001 -)	SCREW, M5X35	2
20	897681	(LPTE00xxx- 00001 -)	SCREW, M5X35	2
21	897287	(LPTE00xxx- 00001 -)	SCREW TE 6X20 UNI5739 INX	2
22	897106	(LPTE00xxx- 00001 -)	WASHER D.6 UNI 6592 INOX	2
23	897106	(LPTE00xxx- 00001 -)	WASHER D.6 UNI 6592 INOX	2
24	897138	(LPTE00xxx- 00001 -)	NUT M6 INOX	2
25	897636	(LPTE00xxx- 00001 -)	ARM	2
26	VTDD01700	(LPTE00xxx- 00001 -)	NUT M6 INOX	1
27	9017849	(LPTE00xxx- 00001 -)	SPRING, SQGE	2
28	897316	(LPTE00xxx- 00001 -)	SCREW, TE, M8X20, UNI5739, INOX	1
29	897216	(LPTE00xxx- 00001 -)	WASHER, D. 8, GRW, UNI1751, INOX	1
30	897120	(LPTE00xxx- 00001 -)	WASHER, D.8X24, UNI6593, INOX	1
31	KTRI06334	(LPTE00xxx- 00001 -)	HUB KIT, DRIVE, BRUSH, DISK	1
32	VTVR16617	(LPTE00xxx- 00001 -)	WEDGE 6X 6X30 UNI 6604	1
33	897287	(LPTE00xxx- 00001 -)	SCREW TE 6X20 UNI5739 INX	4
34	897129	(LPTE00xxx- 00001 -)	WASHER D. 6 INX GRW UNI 1751	4
35	897112	(LPTE00xxx- 00001 -)	WASHER D. 6X18 INX UNI 6593	4
36	897637	(LPTE00xxx- 00001 -)	BRACKET	1
37	897638	(LPTE00xxx- 00001 -)	BODY, SIDE, SX	1
38	897112	(LPTE00xxx- 00001 -)	WASHER D. 6X18 INX UNI 6593	2
39	897639	(LPTE00xxx- 00001 -)	SCREW, M6X140	1
40	897130	(LPTE00xxx- 00001 -)	SCREW, TE, M6X12, UNI5739, A2	4
41	897129	(LPTE00xxx- 00001 -)	WASHER D. 6 INX GRW UNI 1751	4
42	897640	(LPTE00xxx- 00001 -)	PLATE	1
43	VTDD01701	(LPTE00xxx- 00001 -)	NUT, M8, INOX	2
44	897152	(LPTE00xxx- 00001 -)	WASHER, D.8, UNI6592, INOX	2
45	897641	(LPTE00xxx- 00001 -)	BUSHING	2
47	897246	(LPTE00xxx- 00001 -)	SCREW, TE, M8X30, UNI5739, INOX	2
48	MOMO01020	(LPTE00xxx- 00001 -)	MOTOR, BRUSH, 230VAC 140G 200W	1
48	MEVR01750	(LPTE00xxx- 00001 -)	TOP COVER W/CARBONS_RECTIFIER	1
48	9017749	(LPTE00xxx- 00001 -)	VR, BRUSH, MOTOR, ELE	2
49	9018330	(LPTE00xxx- 00001 -)	COVER, BRUSH	1
50	SPPV02656	(LPTE00xxx- 00001 -)	BRUSH ASSY, DISK, SCB, 35CM, 3- LUG, PYP [STANDARD]	1
51	897459	(LPTE00xxx- 00001 -)	SCREW, M5X12, TE, INOX	3
52	897384	(LPTE00xxx- 00001 -)	WASHER D. 5X14 INX	3
53	897643	(LPTE00xxx- 00001 -)	SUPPORT	1
54	897644	(LPTE00xxx- 00001 -)	WASHER D. 5 INX GRW UNI 1751	3
55	897115	(LPTE00xxx- 00001 -)	SCREW, M6X55, SS	2
56	9017848	(LPTE00xxx- 00001 -)	WHEEL, SQGE	2
57	897384	(LPTE00xxx- 00001 -)	WASHER D. 5X14 INX	2
58	VTVT48694	(LPTE00xxx- 00001 -)	SCREW TCB TC 5 X12 UNI 9707 TZ	2

ELECTRICAL DIAGRAM

