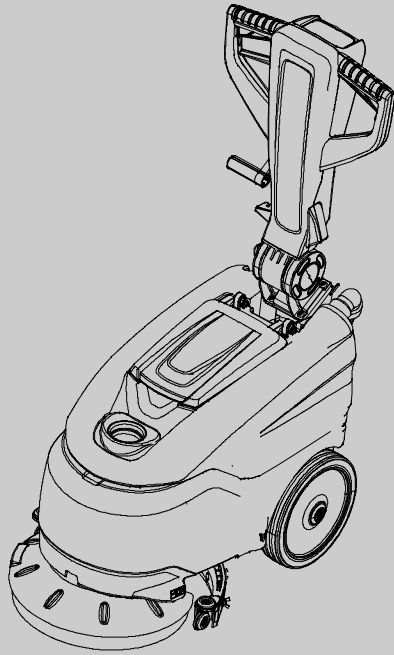




CS16

Battery Floor Scrubber

Parts Manual



Model Part No.:
9021147 CS16 BATTERY SCRUBBER [EMEA]

9021239
Rev. 02 (03-2022)

Only use TENNANT Company supplied or equivalent parts. Parts and supplies may be ordered online, by phone or from any Tennant Authorized Service Center or Distributor.

Before Ordering any parts or supplies, be sure to have the machine model number and serial number available.

Serial Number Location



Walo Hygiene en Reinigingssystemen B.V.

(+31)1 87-605374

welkom@walo.nl

www.walo.nl

Specifications and parts are subject to change without notice.

Copyright © 2020 TENNANT Company

www.tennantco.com

RECOMMENDED SPARE PARTS LIST 4

BRUSHES / PAD DRIVER AND PADS 5

TANK AND BATTERY CHARGER GROUP 6

HANDLE AND FRAME GROUP 8

SQUEEGEE ASSEMBLY AND BRUSH DRIVE GROUP 10

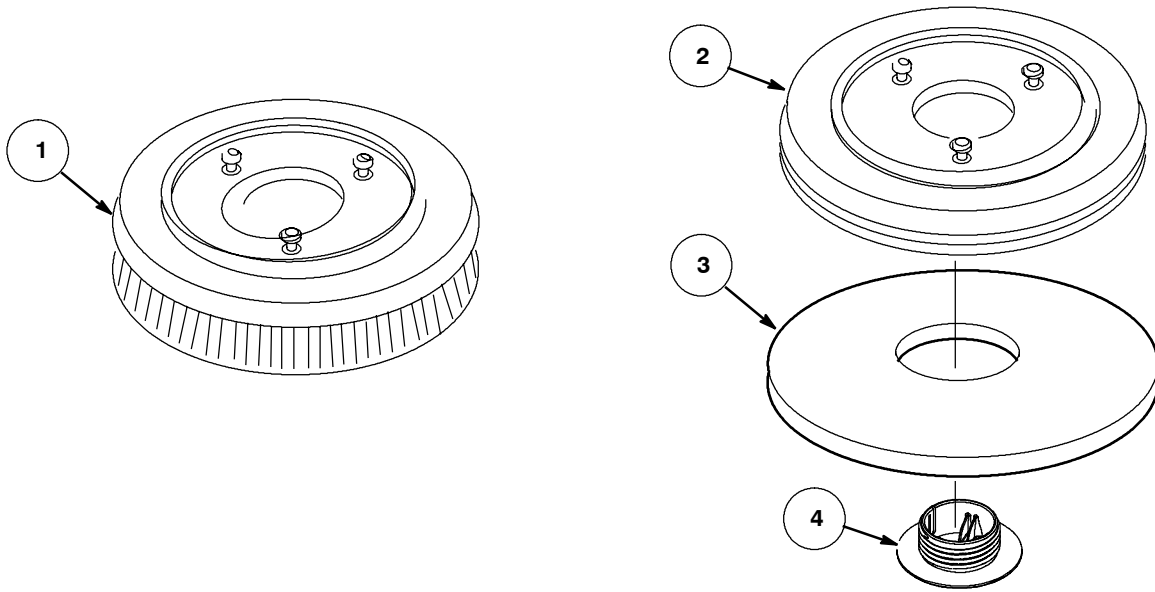
ELECTRICAL DIAGRAM 12

RECOMMENDED SPARE PARTS LIST

WEAR PARTS	
PART NO.	DESCRIPTION
SPPV02656	BRUSH ASSY, DISK, SCB, 35CM, 3-LUG,PYP [STANDARD]
SPPV02657	BRUSH ASSY,DISK,SCB,35CM,3-LUG, PYP,SOFT [OPTIONAL]
SPPV02659	BRUSH ASSY, DISK,ABR, 35CM,3-LUG,120 GRIT [OPTIONAL]
SPPV02664	DRIVER ASSY, PAD, 35CM, 3-LUG
994518	PAD, BUFF, 14.0/355, RED [5PC] STANDARD
994519	PAD, SCB, 14.0INCH /355SSPV02659, BLU [5PC]
994520	PAD, STRIPPING, 14.0/355, BROWN [5PC]
994754	PAD, POLISH, 14.0/355, WHITE [5PC]
9017829	BLADE, SQGE, FRONT, 536L, LINATEX [STANDARD]
9017830	BLADE, SQGE, REAR, 596L, LINATEX [STANDARD]
9017826	BLADE, SQGE, FRONT, 536L, LATEX [OPTIONAL]
9017827	BLADE, SQGE, REAR, 596L, LATEX [OPTIONAL]
9017832	BLADE KIT, SQGE, 536L/596L, FRONT& REAR ,PYU [OPTIONAL]

SERVICE PARTS	
PART NO.	DESCRIPTION
PMVR06994	SQUEEGEE ASSY KIT, LINATEX BLADES [STANDARD]
KTRI05575	LID ASSEMBLY, RECOVERY TANK
9017840	SEAL, COVER, RECVY TANK
9017842	HOSE ASSY, RECVY
9017844	FLOAT, SHUTOFF
9017846	CABLE, LIFT, SQGE
9017845	HOSE ASSY, DRAIN
9017847	VALVE, WATER, SOLENOID, 24VDC
9017848	WHEEL, SQGE
9017849	SPRING, SQGE
9017850	CLIP, HOSE, RECV
9017689	SWITCH, HANDLE
9018511	FILTER, WATER, COMPL
MECE00827	CIRCUITBOARD KIT, AFMKT
897642	MOTOR, BRUSH, 24V
9017686	CARBON BRUSH KIT, BRUSH, MOTOR [4 PC]
897566	MOTOR, VACUUM
9017687	CARBON BRUSH, MOTOR, VAC FAN
GUGO00599	GASKET, MOTOR, VACUUM
9017854	BATTERY, AGM, 12VDC, 29AH
9017856	CHARGER, 24VDC/5A, 100-240VAC [ONBOARD]
9017851	GUARD, SPLASH [OPTIONAL]
MEVR00039	FUSE 20A, MAIN CARD
897648	FUSE 25A
897510	FUSE 30A
1069836	CORD, POWER, CHRGR, 230VAC [EU]
1032820	CORD, POWER, BLK [4.5METER, UK]

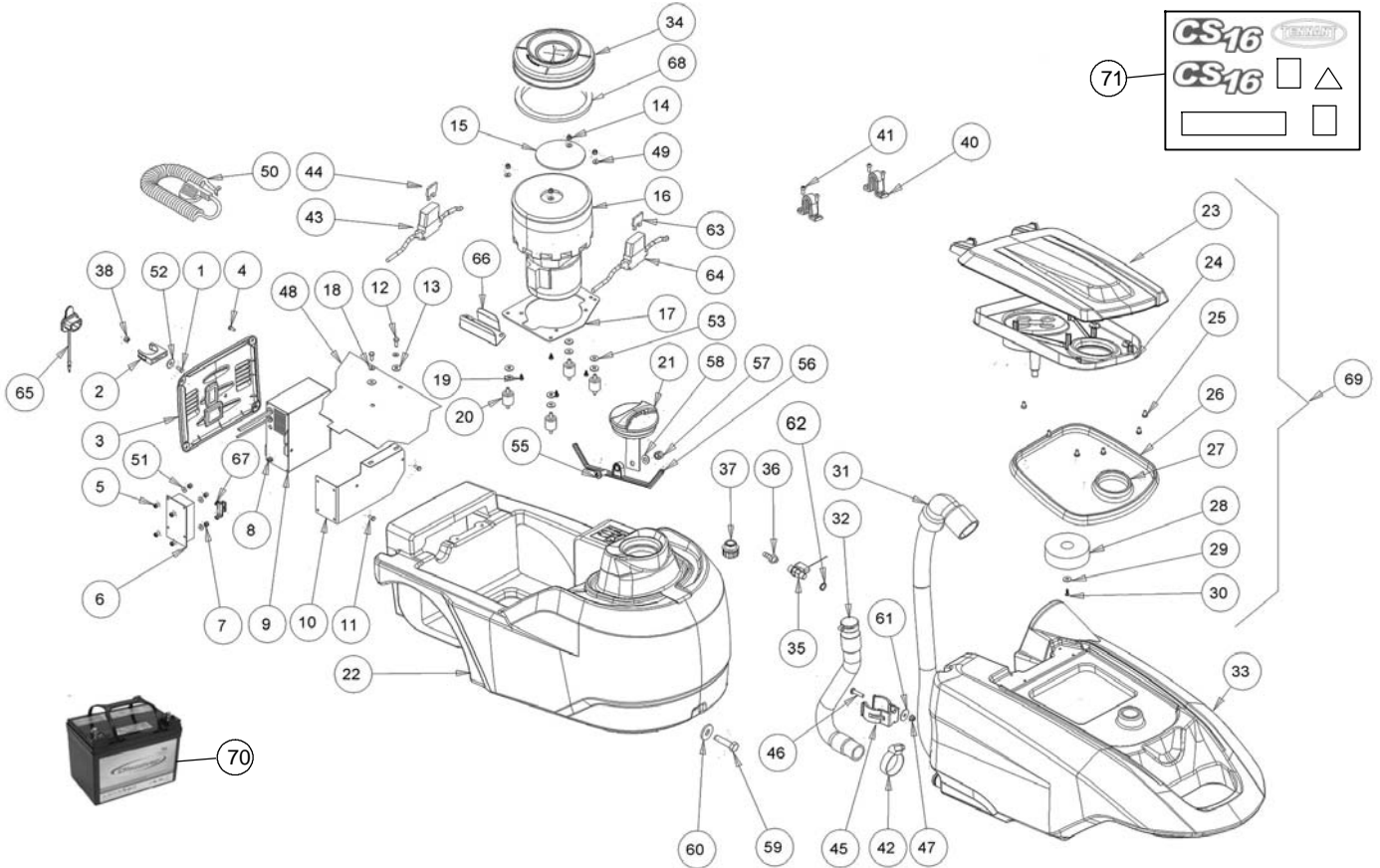
BRUSHES / PAD DRIVER AND PADS



Ref.	Part No.	Serial Number	Description	Qty.
1	SPPV02656	(125158x- 00001-) BRUSH ASSY, DISK, SCB, 35CM, 3-LUG,PYP [STANDARD]	1
1	SPPV02657	(125158x- 00001-) BRUSH ASSY,DISK,SCB,35CM,3-LUG, PYP,SOFT[OPTION]	1
1	SPPV02659	(125158x- 00001-) BRUSH ASSY, DISK,ABR, 35CM,3-LUG,120 GRIT [OPTION]	1
2	SPPV02664	(125158x- 00001-) DRIVER ASSY, PAD, 35CM, 3-LUG	1
3	994518	(125158x- 00001-) PAD, BUFF, 14.0/355, RED [5PC] STANDARD	1
3	994519	(125158x- 00001-) PAD, SCB, 14.0INCH /355, BLU [5PC]	1
3	994520	(125158x- 00001-) PAD, STRIPPING, 14.0/355, BROWN [5PC]	1
3	994754	(125158x- 00001-) PAD, POLISH, 14.0/355, WHITE [5PC]	1
4	MPVR04088	(125158x- 00001-) LOCK, CENTER, PAD DRIVER	1

PARTS LIST

TANK AND BATTERY CHARGER GROUP



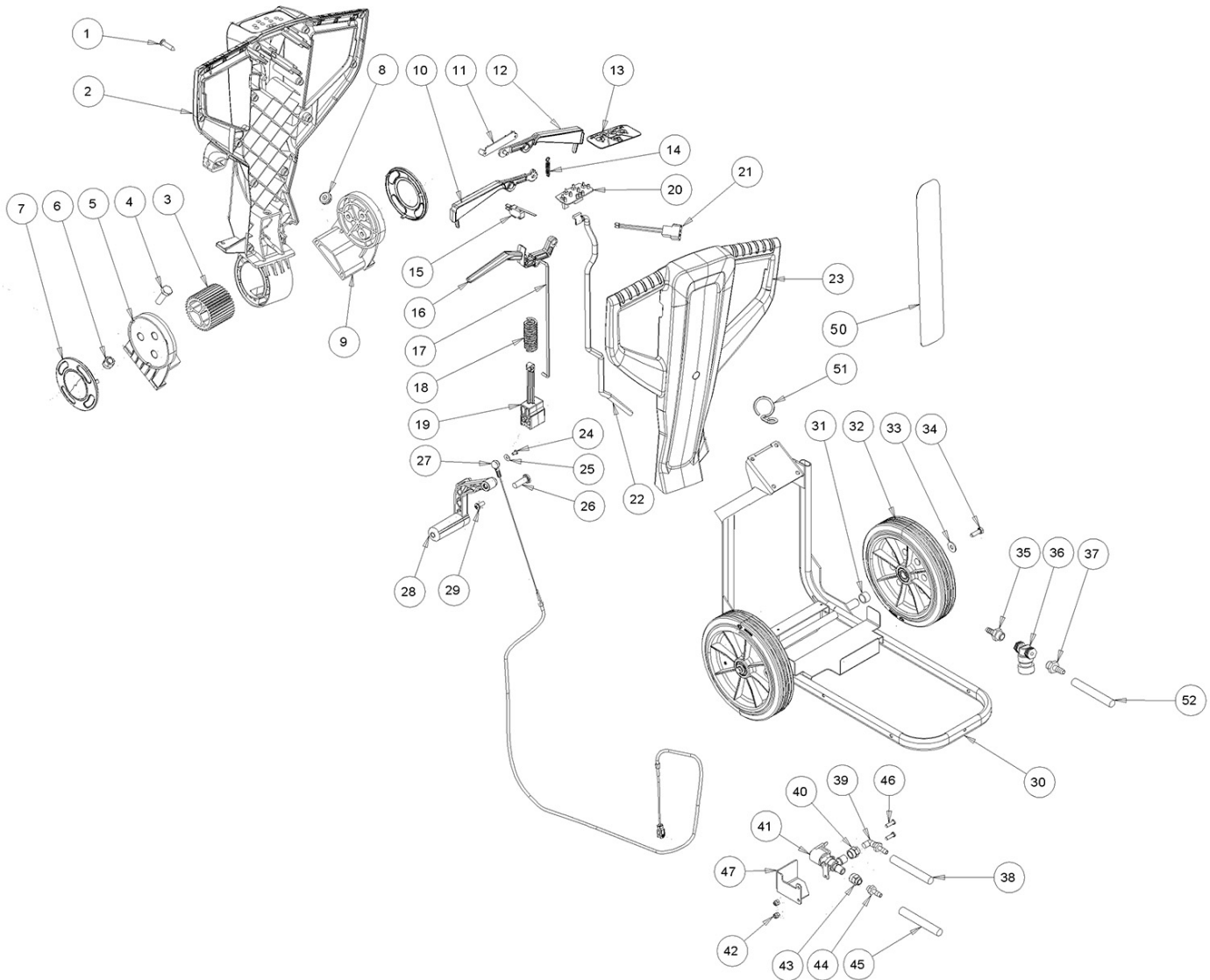
Ref.	Part No.	Serial Number	Description	Qty.
1	897359	(9021147- 00001 -)	SCREW, TCTC, M4X16, ACCIAIO, INOX	1
2	897245	(9021147- 00001 -)	CLIP	1
3	897558	(9021147- 00001 -)	CHARGER, BATTERY, COVER	1
4	897559	(9021147- 00001 -)	SCREW TBCE ISO 7380 5X12	4
5	897564	(9021147- 00001 -)	SCREW, TE, M4X10, ZC., UNI5739	4
6	MECE00827	(9021147- 00001 -)	BOARD, POWER	1
7	VTDD04368	(9021147- 00001 -)	NUT, M4, ZIN, UNI5588	4
8	VTDD04369	(9021147- 00001 -)	NUT M 4 TEF UNI 7473	2
9	9017856	(9021147- 00001 -)	CHARGER, BATTERY, CBHD1, 24V 5A	1
10	897563	(9021147- 00001 -)	PLATE	1
11	897564	(9021147- 00001 -)	SCREW, TE, M4X10, ZC., UNI5739	2
12	897565	(9021147- 00001 -)	SCREW TE M 5X 10 UNI 5739	2
13	897384	(9021147- 00001 -)	WASHER D. 5X14 INX	2
14	897497	(9021147- 00001 -)	NUT, M5, INOX	4
15	897649	(9021147- 00001 -)	FILTER, MOTOR, VACFAN, d78	1
16	897566	(9021147- 00001 -)	MOTOR, VACUUM	1
16	9017687	(9021147- 00001 -)	- CARBON BRUSH, MOTOR, VAC FAN	2
17	897567	(9021147- 00001 -)	PLATE	1
18	897662	(9021147- 00001 -)	WASHER D. 5 GRW	2
19	VTVT48694	(9021147- 00001 -)	SCREW TCB TC 5 X12 UNI 9707 TZ	4
20	897569	(9021147- 00001 -)	VIBRATION, DAMP	4
21	897570	(9021147- 00001 -)	TANK, SOLUTION, CAP	1
22	897663	(9021147- 00001 -)	TANK, SOLUTION	1

TANK AND BATTERY CHARGER GROUP

Ref.	Part No.	Serial Number	Description	Qty.
23	897664	(9021147- 00001 -)	COVER	1
24	897665	(9021147- 00001 -)	COVER, INNER, LID, TANK	1
25	897574	(9021147- 00001 -)	SCREW SELF TAPPING 4.8X9.5 SUS	8
26	9017840	(9021147- 00001 -)	SEAL, COVER, RECVY TANK	1
27	897666	(9021147- 00001 -)	GASKET	1
28	9017844	(9021147- 00001 -)	FLOAT, SHUTOFF	1
29	897576	(9021147- 00001 -)	WASHER, M30X6X3	1
30	VTVT48694	(9021147- 00001 -)	SCREW TCB TC 5 X12 UNI 9707 TZ	1
31	9017842	(9021147- 00001 -)	HOSE ASSY, RECVY	1
32	9017845	(9021147- 00001 -)	HOSE ASSY, DRAIN	1
33	MPVR12899	(9021147- 00001 -)	TANK RECOVERY TEAL	1
34	GUGO00599	(9021147- 00001 -)	GASKET, MOTOR, VACUUM	1
35	897578	(9021147- 00001 -)	VALVE, A SFERA, MF, 1/8"	1
36	897678	(9021147- 00001 -)	CONNECTOR, 1/8" D.7	1
37	897176	(9021147- 00001 -)	CAP 1/2"	1
38	897160	(9021147- 00001 -)	NUT, M4, INOX, ZN	1
40	897668	(9021147- 00001 -)	HINGE [416S]	2
41	897669	(9021147- 00001 -)	SCREW STS KN1031- Neu 4x16 - H2	4
42	FSVR00002	(9021147- 00001 -)	CLAMP ECOFLEX 9 23- 35	1
43	897580	(9021147- 00001 -)	BATTERY, HOLDER, WIRING, FUSE	1
44	897510	(9021147- 00001 -)	FUSE 30A	1
45	9017850	(9021147- 00001 -)	CLIP, HOSE, RECVY	1
46	897581	(9021147- 00001 -)	SCREW	2
47	VTDD04369	(9021147- 00001 -)	NUT M 4 TEF UNI 7473	2
48	897583	(9021147- 00001 -)	PROTECTION	1
49	897644	(9021147- 00001 -)	WASHER D. 5 INX GRW UNI 1751	4
50	1069836	(9021147- 00001 -)	CORD, POWER, CHRGR, 230VAC [EU]	1
50	1032820	(9021147- 00001 -)	CORD, POWER, CHRGR, 230VAC [UK]	1
51	897584	(9021147- 00001 -)	WASHER, M4	4
52	897149	(9021147- 00001 -)	WASHER 4- 16 INOX A2	1
53	897384	(9021147- 00001 -)	WASHER D. 5X14 INX	8
55	VTVT15965	(9021147- 00001 -)	SCREW, TCB- TC, M4X12, UNI7687, INX	1
56	897587	(9021147- 00001 -)	PLATE	1
57	897276	(9021147- 00001 -)	NUT M 4 ATB A2	1
58	897156	(9021147- 00001 -)	WASHER D. 4 INX	1
59	897588	(9021147- 00001 -)	SCREW, TE, M5X35, UNI5739	1
60	897384	(9021147- 00001 -)	WASHER D. 5X14 INX	1
61	897589	(9021147- 00001 -)	WASHER, UNI6592, M4X16, ZB	2
62	897590	(9021147- 00001 -)	O- RING, D. 6.75X1.78, NBR, 70SH	1
63	MEVR00039	(9021147- 00001 -)	FUSE, 020A, MAIN CARD	1
64	897647	(9021147- 00001 -)	WIRING	1
65	897591	(9021147- 00001 -)	CAP, IEC	1
66	897592	(9021147- 00001 -)	BRACKET	1
67	MPVR12325	(9021147- 00001 -)	CLIP, BLOCK, FLAT	1
68	FSVR00264	(9021147- 00001 -)	CLAMP	1
69	KTRI05575	(9021147- 00001 -)	LID ASSY, RECOVERY TANK	1
70	9017854	(9021147- 00001 -)	BATTERY, AGM, 12VDC, 29AH	2
71	KTRI06255	(9021147- 00001 -)	LABEL KIT, CS16 MACHINE	1

PARTS LIST

HANDLE AND FRAME GROUP



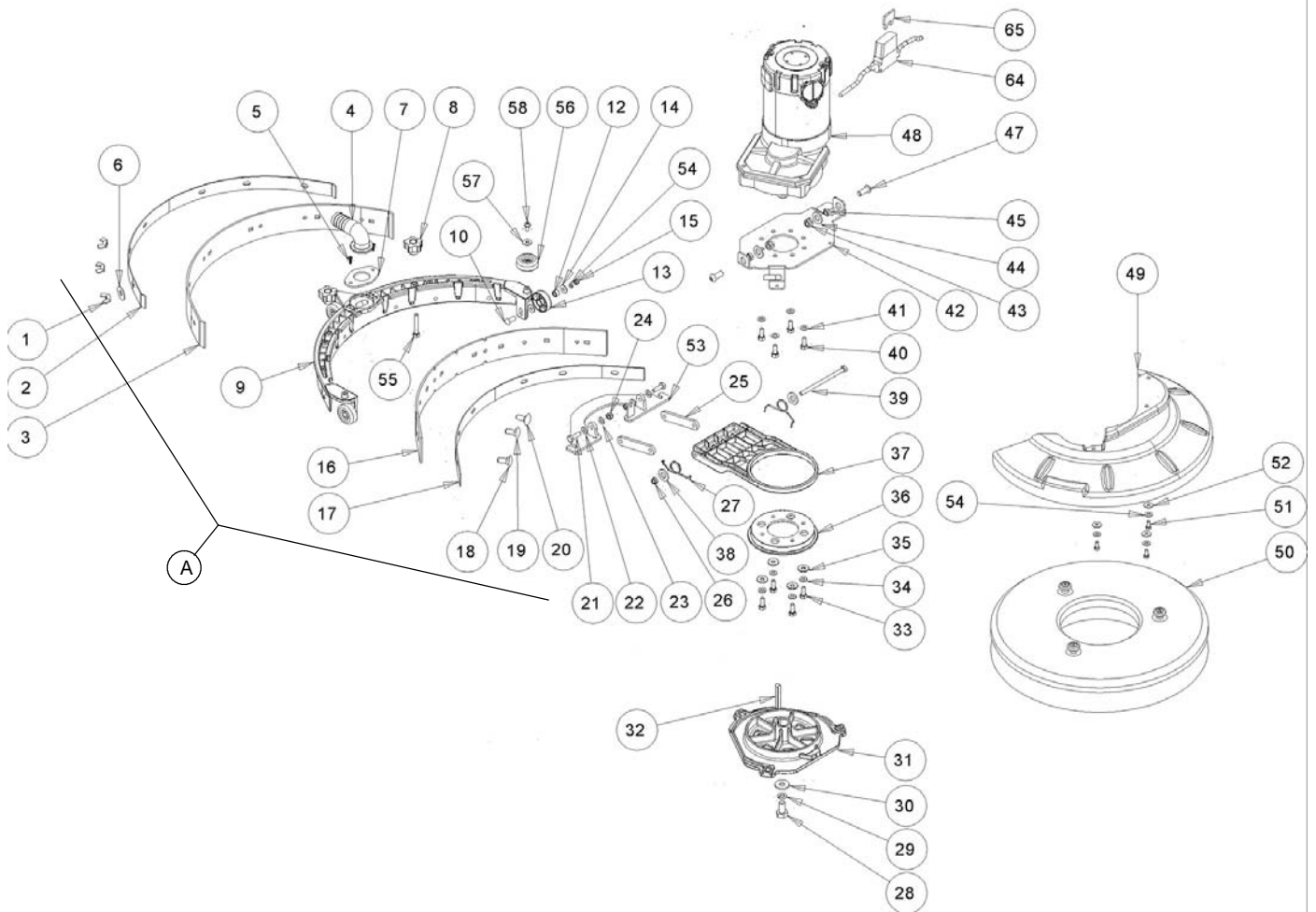
Ref.	Part No.	Serial Number	Description	Qty.
1	897593	(9021147- 00001 -)	SCREW, M4,8X19	14
2	897670	(9021147- 00001 -)	CRANKCASE	1
3	897595	(9021147- 00001 -)	GEAR	1
4	VTVT75724	(9021147- 00001 -)	SCREW, HEX, M8 X 1.25 X 22	4
5	897597	(9021147- 00001 -)	SHELL, DX	1
6	897598	(9021147- 00001 -)	NUT, M8, FLAT	4
7	897599	(9021147- 00001 -)	COVER	2
8	897600	(9021147- 00001 -)	FAIR, LEAD	1
9	897601	(9021147- 00001 -)	SHELL, SX	1
10	897671	(9021147- 00001 -)	LEVER, DX	1
11	897603	(9021147- 00001 -)	CARD,SUPPORT, ELECTRONIC	1
12	897672	(9021147- 00001 -)	LEVER, SX	1
13	897673	(9021147- 00001 -)	LABEL, DASHBOARD [416S]	1
14	897606	(9021147- 00001 -)	SPRING	1
15	9017689	(9021147- 00001 -)	SWITCH, HANDLE	1
16	897674	(9021147- 00001 -)	LEVER, ADJUSTMENT	1
17	KTRI02273	(9021147- 00001 -)	KIT HANDLE ADJUST ROD	1
18	897608	(9021147- 00001 -)	SPRING	1

HANDLE AND FRAME GROUP

Ref.	Part No.	Serial Number	Description	Qty.
19	897609	(9021147- 00001 -)	HANDLE, SUPPORT	1
20	897610	(9021147- 00001 -)	ASSY, CIRCUITBOARD [416S]	1
21	897611	(9021147- 00001 -)	BOTTON, PUSH, WIRING	1
22	897612	(9021147- 00001 -)	CABLE, RIBBON, FLAT	1
23	897675	(9021147- 00001 -)	CRANKCASE, HANDLE, FRONT	1
24	897150	(9021147- 00001 -)	SCREW, TC, M4X12, ZN	1
25	897149	(9021147- 00001 -)	WASHER 4- 16 INOX A2	1
26	897614	(9021147- 00001 -)	PIN	1
27	9017846	(9021147- 00001 -)	CABLE, LIFT, SQGE	1
28	9017688	(9021147- 00001 -)	LEVER, LIFT, SQGE	1
29	897615	(9021147- 00001 -)	SCREW, TC, M6X12	1
30	897616	(9021147- 00001 -)	FRAME	1
31	897617	(9021147- 00001 -)	BUSHING	2
32	897618	(9021147- 00001 -)	WHEEL, GRAY, D.250	2
33	897619	(9021147- 00001 -)	WASHER, D.8X24, ZC	2
34	897676	(9021147- 00001 -)	SCREW TE 8X16 UNI5739	2
35	897677	(9021147- 00001 -)	CONNECTOR	1
36	9018511	(9021147- 00001 -)	FILTER, WATER, COMPL	1
37	897677	(9021147- 00001 -)	CONNECTOR	1
38	TBBP00732	(9021147- 00001 -)	TUBE CRISTALLO 6X9 L=240 mm	1
39	897678	(9021147- 00001 -)	CONNECTOR, 1/8" D.7	1
40	897679	(9021147- 00001 -)	CONNECTOR	1
41	9017847	(9021147- 00001 -)	VALVE, WATER, SOLENOID, 24VDC	1
42	897276	(9021147- 00001 -)	NUT M 4 ATB A2	2
43	897679	(9021147- 00001 -)	CONNECTOR	1
44	897678	(9021147- 00001 -)	CONNECTOR, 1/8" D.7	1
45	TBBP00733	(9021147- 00001 -)	TUBE CRISTALLO 6X9 L=445 mm	1
46	897359	(9021147- 00001 -)	SCREW, TCTC, M4X16, ACCIAIO, INOX	2
47	897623	(9021147- 00001 -)	SOLENOIDE, VALVE, PROTECTION	1
50	N/A	(9021147- 00001 -)	LABEL, HANDLE, TEAL (order label kit KTRI06255)	1
51	897625	(9021147- 00001 -)	HOOK	1
52	TBBP00731	(9021147- 00001 -)	TUBE CRISTALLO 6X9 L=335 mm	1

PARTS LIST

SQUEEGEE ASSEMBLY AND BRUSH DRIVE GROUP



Ref.	Part No.	Serial Number	Description	Qty.
A	PMVR06994	(9021147- 00001 -)	SQUEEGEE ASSY KIT, LINATEX BLADES [STANDARD] (includes items 1-20, 54-58)	1
1	897626	(9021147- 00001 -)	NUT, M5	6
2	897627	(9021147- 00001 -)	BRACKET	1
3	9017830	(9021147- 00001 -)	BLADE, SQGE, REAR, 596L, LINATEX [STANDARD]	1
3	9017827	(9021147- 00001 -)	BLADE, SQGE, REAR, 596L, LATEX [OPTION]	1
3	9017832	(9021147- 00001 -)	BLADE KIT, SQGE, REAR & FRONT, PYU [OPTION]	1
4	897628	(9021147- 00001 -)	FITTING, CONNECTOR, ELBOW	1
5	VTVT48694	(9021147- 00001 -)	SCREW TCB TC 5 X12 UNI 9707 TZ	2
6	897384	(9021147- 00001 -)	WASHER D. 5X14 INX	6
7	897629	(9021147- 00001 -)	FLANGE	1
8	897630	(9021147- 00001 -)	KNOB, SMALL	2
9	897631	(9021147- 00001 -)	FLOOR, WIPER, YELLOW, RAL1021	1
10	897632	(9021147- 00001 -)	SCREW, M5X20	3
12	897633	(9021147- 00001 -)	BUSHING	3
13	9017848	(9021147- 00001 -)	WHEEL, SQGE	3
14	897384	(9021147- 00001 -)	WASHER D. 5X14 INX	6
15	897497	(9021147- 00001 -)	NUT, M5, INOX	3
16	9017829	(9021147- 00001 -)	BLADE, SQGE, FRONT, 536L, LINATEX [STANDARD]	1
16	9017826	(9021147- 00001 -)	BLADE, SQGE, FRONT, 536L, LATEX [OPTION]	1
16	9017832	(9021147- 00001 -)	BLADE KIT, SQGE, REAR & FRONT, PYU [OPTION]	1
17	897634	(9021147- 00001 -)	BRACKET	1
18	897635	(9021147- 00001 -)	SCREW M5x25	2

SQUEEGEE ASSEMBLY AND BRUSH DRIVE GROUP

Ref.	Part No.	Serial Number	Description	Qty.
19	897681	(9021147-00001 -)	SCREW, M5X35	2
20	897681	(9021147-00001 -)	SCREW, M5X35	2
21	897287	(9021147-00001 -)	SCREW TE 6X20 UNI5739 INX	2
22	897106	(9021147-00001 -)	WASHER D.6 UNI 6592 INOX	2
23	897106	(9021147-00001 -)	WASHER D.6 UNI 6592 INOX	2
24	897138	(9021147-00001 -)	NUT M6 INOX	2
25	897636	(9021147-00001 -)	ARM	2
26	897138	(9021147-00001 -)	NUT M6 INOX	1
27	9017849	(9021147-00001 -)	SPRING, SQGE	2
28	897316	(9021147-00001 -)	SCREW, TE, M8X20, UNI5739, INOX	1
29	897216	(9021147-00001 -)	WASHER, D. 8, GRW, UNI1751, INOX	1
30	897120	(9021147-00001 -)	WASHER, D.8X24, UNI6593, INOX	1
31	KTRI06334	(9021147-00001 -)	HUB KIT, DRIVE, BRUSH, DISK	1
32	VTVR16617	(9021147-00001 -)	WEDGE 6X 6X30 UNI 6604	1
33	897287	(9021147-00001 -)	SCREW TE 6X20 UNI5739 INX	4
34	897129	(9021147-00001 -)	WASHER D. 6 INX GRW UNI 1751	4
35	897112	(9021147-00001 -)	WASHER D. 6X18 INX UNI 6593	4
36	897637	(9021147-00001 -)	BRACKET	1
37	897638	(9021147-00001 -)	BODY, SIDE, SX	1
38	897112	(9021147-00001 -)	WASHER D. 6X18 INX UNI 6593	2
39	897639	(9021147-00001 -)	SCREW, M6X140	1
40	897130	(9021147-00001 -)	SCREW, TE, M6X12, UNI5739, A2	4
41	897129	(9021147-00001 -)	WASHER D. 6 INX GRW UNI 1751	4
42	897640	(9021147-00001 -)	PLATE	1
43	897124	(9021147-00001 -)	NUT, M8, INOX	2
44	897152	(9021147-00001 -)	WASHER, D.8, UNI6592, INOX	2
45	897641	(9021147-00001 -)	BUSHING	2
47	897246	(9021147-00001 -)	SCREW, TE, M8X30, UNI5739, INOX	2
48	897642	(9021147-00001 -)	MOTOR, BRUSH, 24V	1
48	9017686	(9021147-00001 -)	- CARBON BRUSH KIT, BRUSH MOTOR [4PC]	4
49	9018330	(9021147-00001 -)	COVER, BRUSH	1
50	SPPV02656	(9021147-00001 -)	BRUSH ASSY, DISK, SCB, 35CM, 3- LUG, PYP [STANDARD]	1
51	897459	(9021147-00001 -)	SCREW, M5X12, TE, INOX	3
52	897384	(9021147-00001 -)	WASHER D. 5X14 INX	3
53	897643	(9021147-00001 -)	SUPPORT	1
54	897644	(9021147-00001 -)	WASHER D. 5 INX GRW UNI 1751	3
55	897115	(9021147-00001 -)	SCREW, M6X55, SS	2
56	9017848	(9021147-00001 -)	WHEEL, SQGE	2
57	897384	(9021147-00001 -)	WASHER D. 5X14 INX	2
58	VTVT48694	(9021147-00001 -)	SCREW TCB TC 5 X12 UNI 9707 TZ	2
64	897647	(9021147-00001 -)	WIRING	1
65	897648	(9021147-00001 -)	FUSE, 25A	1

ELECTRICAL DIAGRAM

